

COMPACT EXCAVATOR

**takeuchi**<sup>TM</sup>  
From World First to World Leader

# TB335R



Operating Weight: 3,760 kg



# TOUGH, POWERFUL, RELIABLE



**7" Touch Screen Display (CAB)**



**Intuitive Operation**



**Hydraulic Joystick Controls**



**Large Floor with Foot Rest**

The latest 300 series excavator, the TB335R features a minimal tail swing design that allows you to focus more on the work you are performing and worry less about rear swing impacts. Operators will find that the compact radius of the TB335R will provide excellent maneuverability and accessibility to confined worksites without sacrificing stability. While powerful bucket and arm crowd forces and a wide working range will deliver unmatched performance.

A comfortable operator is a productive operator and the TB335R features a wide range of improvements that will enhance the operator's experience. Features include a fully redesigned interior that includes one touch controls, jog dial, high-definition color

monitor, and a deluxe high back suspension seat that has fore/aft/tilt and multiple height adjustments. Low effort hydraulic pilot controls serve as an extension of the operator delivering precise operation while minimizing fatigue. The cabin interior is inviting and spacious allowing the operator to remain comfortable and productive throughout the day.

Daily inspections and maintenance are easy to carry out thanks in part to a swing out engine hood and overhead opening right side cover. With the hoods open, the operator can quickly inspect the water separator, radiator and oil cooler, hydraulic oil level sight gauge, fuel level, dual element air cleaners, coolant level, engine oil dipstick, and battery.



**Completely Redesigned Automotive Styled Interior with Intuitive User's Operation**

# Product Features & Specifications

## ENGINE

- EU Stage V / EPA Tier 4 Emission Compliant
- Automatic Fuel Bleed System
- Double Element, Air Cleaner
- Automatic Deceleration
- Working Modes: Standard and ECO
- Engine Preheat Starting Aid
- High Capacity Radiator and Hydraulic Oil Cooler
- High Capacity Fuel Filters
- Engine Safety Start System on the Left Console
- Engine Auto Stop
- Fuel Supply Pump

## ELECTRICAL

- 4.3" Multi-Informational Display (Canopy)
- 7" Color Touch Screen Display (Cab)
- Multi-Switch Control Panel & Jog Dial Control
- 12 volt System with 60 amp Alternator
- LED Light Package 1; Boom and Front Canopy (Canopy)
- LED Light Package 2; Boom, Front Cab & Rear Cab (Cab)
- Travel Alarm (optional)
- Beacon Socket and Lamp Switch (Cab Only)
- TFM (Takeuchi Fleet Management, GPS) (optional)\*
- TSS (Takeuchi Security System, Immobilizer) (optional)\*

## UNDERCARRIAGE AND FRAME

- Triple Flanged Track Rollers
- 2-Speed Travel with Automatic Shift
- Sloped Frame with Open Centers
- Large Wrap Around Counterweight
- 300 mm Rubber Crawlers
- 300 mm Steel Crawlers (optional)
- Rubber Pads for 300 mm Steel Crawlers (optional)
- Heavy Duty Dozer Blade with Float (optional)
- Check Valve, Dozer Blade (optional)

## OPERATOR'S STATION

- ROPS/TOPS/OPG (TOP Guard, Level I)
- Deluxe High Back Suspension Seat with Head Rest
- 2" Retractable Seat Belt
- 12V Power Outlet
- Cab with Heat, Defrost, Windshield Wiper and Washer, Skylight w/ Sunshade, DAB Radio with Bluetooth
- Air Conditioner (Cab Optional)
- Rain Guard (Cab Optional)
- OPG Level II Roof Guard Kit (Cab Optional)
- OPG Level II Front Guard (Cab Optional)

## TAKEUCHI FLEET MANAGEMENT

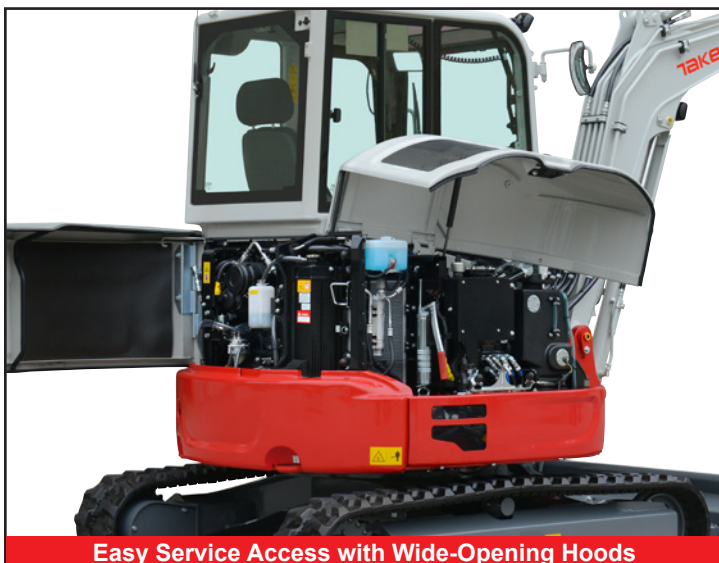
- Minimize Downtime
- Remote Diagnostics
- Utilization Tracking
- Proactive Maintenance
- Control Costs

## HYDRAULIC

- Variable Displacement Pump
- Straight Travel Circuit
- Hydraulic Joystick Controls
- Proportional Control for Service Port 1
- Detent for Service Port 1
- Proportional Control for Service Port 2 (optional)
- Service Port 3 for Quick Hitch (optional)
- Proportional Control for Service Port 4 (optional)
- Auxiliary Hydraulic Circuit Plumbed to Arm
- Hydraulic Tank with Fluid Sight Gauge
- Adjustable Auxiliary Flow for Service Port 1, 2, and 4
- Auto Pressure Release (optional)
- Hydraulic Selector Valve (1-way / 2-way)
- Pilot Accumulator
- Air Breather, Hydraulic Tank
- Auto Tank (optional)

## WORKING EQUIPMENT

- Independent Mono Boom Swing
- Cushioned Boom and Swing Cylinders
- Boom Swing Stopper
- 1,260 mm Arm
- 1,410 mm Arm
- Arm and Boom Holding Valve with Lift Alarm
- Lifting Point of Bucket Linkage (optional)



Easy Service Access with Wide-Opening Hoods



Short Tail Swing

\*Functions may not be available in all countries, so please consult your Takeuchi dealer for details.

## OPERATING PERFORMANCE

Operating Weight - Cab	3,760 kg
Operating Weight - Canopy	3,605 kg
Bucket Capacity (Heaped)	0.105 m <sup>3</sup>
Slew Speed	9.0 min <sup>-1</sup>
Travel Speed	
1st	3.0 km/h
2nd	4.1 km/h
Gradeability	25°
Ground Pressure - Cab	32.1 kPa
Ground Pressure - Canopy	30.8 kPa
Maximum Bucket Breakout Force	27.1 kN
Maximum Arm Digging Force (1,260 mm Arm)	20.6 kN
Maximum Arm Digging Force (1,410 mm Arm)	19.1 kN
Traction Force	40.5 kN
Boom Swing Angle (Left/Right)	70° / 55°

## ENGINE

Model	Kubota / V1505
Rated Output (ISO 14396)	18.2 kW / 2,300 min <sup>-1</sup>
Maximum Torque	95.8 Nm / 1,700 min <sup>-1</sup>
Displacement	1,498 ml
Alternator	12V - 0.72 kW
Battery (IEC 60095-1)	12V - 64 A·h

## FLUID CAPACITY

Engine Lubrication	6.7 L
Cooling System	12.5 L
Fuel Tank Capacity	43.5 L
Hydraulic Reservoir Capacity	28.4 L
Hydraulic System Capacity	59.0 L

## HYDRAULIC SYSTEM

P1, P2	Variable Displacement Pump
Flow Rate	42.6 L/min
Relief Pressure	24.5 MPa
P3	Gear Pump
Flow Rate	21.9 L/min
Relief Pressure	20.6 MPa
Service Port 1	
Flow Rate	64.4 L/min
Hydraulic Pressure	21.0 MPa
Service Port 2	
Flow Rate	21.9 L/min
Hydraulic Pressure	20.6 MPa
Service Port 3	
Hydraulic Pressure	20.6 MPa
Service Port 4	
Flow Rate	21.9 L/min
Hydraulic Pressure	20.6 MPa

## SAFETY and HEALTH

Vibration Levels	
Hand / Arm	≤ 2.5 m/s <sup>2</sup>
Body	≤ 0.5 m/s <sup>2</sup>
Noise Level	
Sound Power Level	L <sub>WA</sub> 93 dB



Up to 4 Service Ports (Optional)



Great Stability



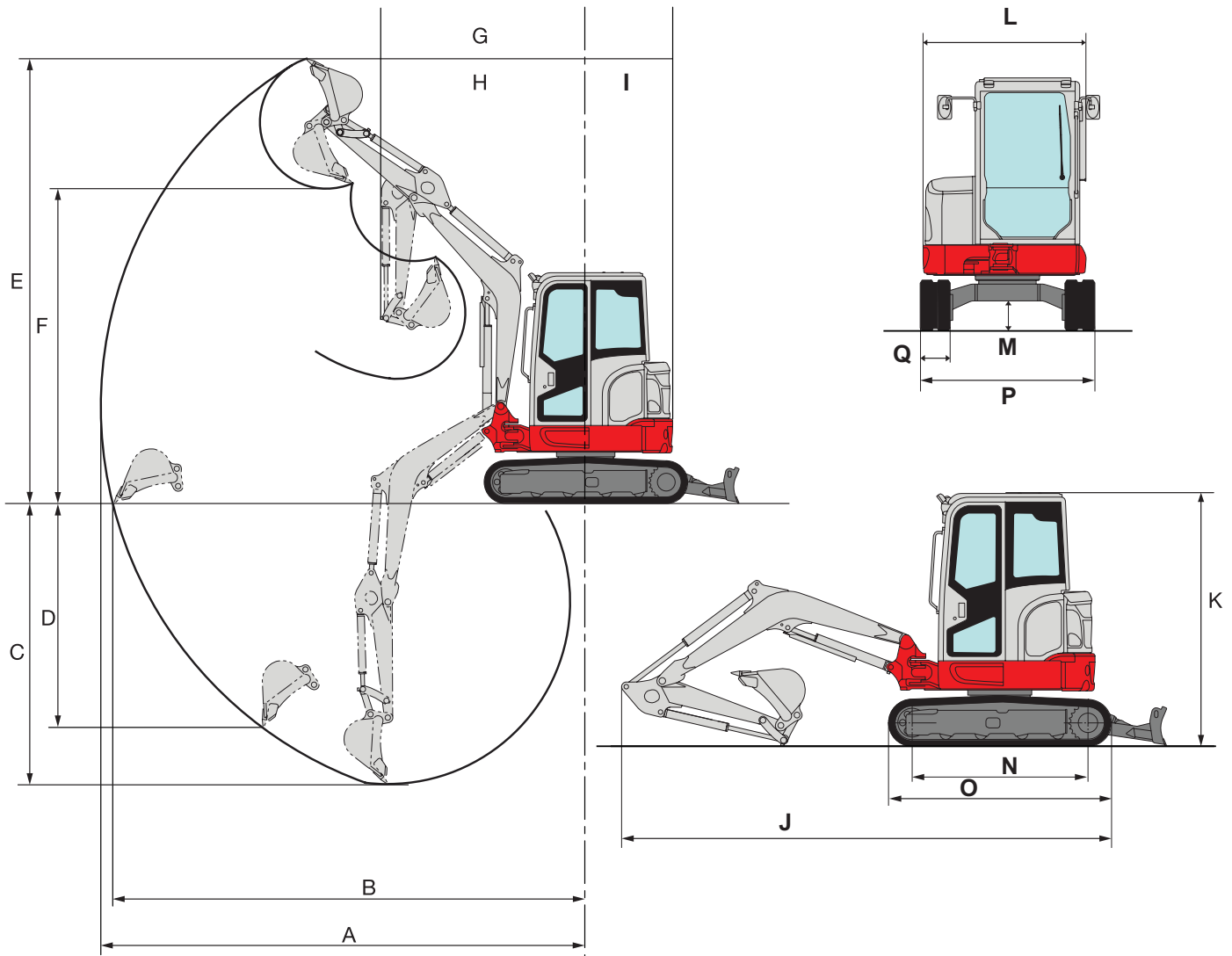
All Steel Construction



TFM (Optional)



# TB335R Compact Excavator



MACHINE DIMENSIONS	1,260 mm Arm	1,410 mm Arm
A Maximum Reach	5,285 mm	5,430 mm
B Maximum Reach at Ground Level	5,115mm	5,305 mm
C Maximum Digging Depth	3,055 mm	3,205 mm
D Maximum Vertical Digging Depth	2,365 mm	2,505 mm
E Maximum Height of Cutting Edge	4,845 mm	4,945 mm
F Maximum Dumping Height	3,430 mm	3,530 mm
G Front Swing Radius	2,240 mm	2,265 mm
H Front Swing Radius with Boom Offset	1,835 mm	1,860 mm
I Slew Radius	950 mm	
J Overall Length	4,870 mm	4,890 mm
K Overall Height (Cab / Canopy)	2,490 mm / 2,520 mm	
L Upper Structure Overall Width (Cab / Canopy)	1,625 mm / 1,620 mm	
M Ground Clearance	295 mm	
N Crawler Base	1,750 mm	
O Crawler Overall Length	2,215 mm	
P Crawler Overall Width	1,740 mm	
Q Crawler Shoe Width	300 mm	





© 2022 Takeuchi MFG. Co., Ltd. All Rights Reserved. In accordance with our established policy of continued improvement, specifications and features are subject to change without notice. Pictures may show options other than standard equipment.

FORM: TB335R Compact Excavator Spec Sheet - Sep. 2022

**TAKEUCHI**<sup>™</sup>  
From World First to World Leader