

COMPACT EXCAVATOR

TAKEUCHI™

*From World First to World Leader*

# TB250-2



Operating Weight: 5,120 kg

# Product Features & Specifications

## ENGINE

- EU Stage V / EPA Tier 4 Compliant
- DOC+DPF Exhaust After Treatment
- Automatic Fuel Bleed System
- Double Element Air Cleaner (optional)
- Automatic Deceleration
- Working Modes: Standard, Eco, and High Altitude
- Engine Preheat Starting Aid
- High Capacity Radiator and Hydraulic Oil Cooler
- High Capacity Fuel Filters
- Engine Safety Start System on Left Console
- Engine Auto Stop
- Fuel Supply Pump (optional)

## ELECTRICAL

- Multi-Informational Display (canopy)
- 5.7" Color Multi-Informational Display (cab)
- Sealed Rocker Switches
- 12 volt System with 55 amp Alternator
- Halogen Work Lights
- LED Light Package 1; Front Cover, Boom and Front Cab (optional)
- LED Light Package 2; Front Cover, Boom, Front Cab, and Rear Cab (optional)
- Travel Alarm (optional)
- Horn
- Beacon Socket and Lamp Switch (cab only)
- TFM (Takeuchi Fleet Management, GPS)\*
- TSS (Takeuchi Security System, Immobilizer) (optional)\*

## UNDERCARRIAGE AND FRAME

- Triple Flanged Track Rollers
- 2-Speed Travel with Automatic Shift
- High Torque Planetary Final Drive
- Heavy Duty Dozer Blade with Float (optional)
- Large Wrap Around Counterweight
- 400 mm Rubber Crawlers
- 400 mm Steel Crawlers (optional)
- 400 mm Segmented Rubber Crawlers (optional)
- Rubber Pads for 400 mm Steel Crawlers (optional)
- Power Angle Blade with Float and Bolt-on Cutting Edge (optional)

## OPERATOR'S STATION

- ROPS/ TOPS/OPG (TOP Guard, Level I)
- Deluxe High Back Suspension Seat with Head Rest
- 12V Power Outlet
- 2" Retractable Seat Belt
- Cab with Heat, Defrost, Windshield Wiper and Washer, Skylight with Sunshade, AM / FM / MP3 / Bluetooth Radio
- Air Conditioner (cab optional)
- Rain Guard (cab optional)
- OPG Level II Roof Guard Kit (cab optional)
- OPG Level II Front Guard (cab optional)

## HYDRAULIC

- Variable Displacement, Open Center Hydraulics
- Straight Travel Circuit
- Hydraulic Joystick Controls
- Proportional Controls for Service Port 1
- Detent for Service Port 1
- Proportional Controls for Service Port 2 (optional)
- Service Port 3 for Quick Hitch (optional)
- Proportional Controls for Service Port 4 (optional)
- Auxiliary Hydraulic Circuit Plumbed to Arm
- Hydraulic Tank w/ Fluid Sight Gauge
- Adjustable Auxiliary Flow for Service Port 1, 2 and 4
- Auto Pressure Release (optional)
- Hydraulic Selector Valve (1-way/2-way)
- Pilot Accumulator (optional)
- Air Breather, Hydraulic Tank
- Auto Tank (optional)

## WORKING EQUIPMENT

- Independent Mono Boom Swing
- Cushioned Boom, Arm and Swing Cylinders
- Boom Swing Stopper (optional)
- 1,600 mm Arm
- 1,760 mm Arm
- Arm and Boom Holding Valve w/ Lift Alarm (optional)
- Pattern Change Valve (ISO or G) (optional)



Spacious Cabin



Automotive Styled Interior

\*Functions may not be available in all countries, so please consult your Takeuchi dealer for details.

# TOUGH, POWERFUL, RELIABLE



Large Floor with Foot Rest



Wraparound Counterweight



Triple Flanged Track Rollers



Hydraulic Joystick Controls

Delivering outstanding performance and versatility, the TB250-2 is one of Takeuchi's most popular conventional tail swing excavators.

The TB250-2 offers steel construction and lockable service access panels, an automotive styled interior, and powerful hydraulic system. The TB250-2 has excellent arm and bucket breakout force, reach and lifting capacity for maximum productivity making it a great choice for the most demanding applications.

Additional features include an automatic fuel bleed system, heavy duty cooling module, and a large wraparound counterweight that protects engine components from damage.

The interior provides excellent operator comfort with pilot operated controls, travel controls with large foot pedals, easy to reach rocker switches and a throttle lever control.



Large lockable service hoods provide vandalism protection and outstanding maintenance access.

## OPERATING PERFORMANCE

Operating Weight - Cab	5,120 kg
Canopy	4,970 kg
Bucket Capacity (Heaped)	0.141 m <sup>3</sup>
Slew Speed	9.5 min <sup>-1</sup>
Travel Speed	
1st	2.8 km/h
2nd	5.2 km/h
Gradeability	30°
Ground Pressure - Cab	30 kPa
Ground Pressure - Canopy	29 kPa
Max Bucket Breakout Force	37.3 kN
Max Arm Digging Force (1,600 mm Arm)	24.8 kN
Max Arm Digging Force (1,760 mm Arm)	23.4 kN
Traction Force	54.8 kN
Boom Swing Angle (Left / Right)	75° / 60°

## ENGINE

Make / Model	Yanmar / 4TNV88C
Rated Output (ISO 14396)	29.1 kW / 2,400 min <sup>-1</sup>
Maximum Torque	144.9 Nm / 1,560 min <sup>-1</sup>
Displacement	2,189 ml
Alternator	12 V - 0.66 kW
Battery (IEC 60095-1)	12 V - 90 A · h

## FLUID CAPACITIES

Engine Lubrication	7.4 L
Cooling System	7.0 L
Fuel Tank Capacity	70.0 L
Hydraulic Reservoir Capacity	45.0 L
Hydraulic System Capacity	95.0 L

## HYDRAULIC SYSTEM

P1, P2	
Flow Rate	52.8 L/min
Relief Pressure	24.0 MPa
P3	
Flow Rate	38.9 L/min
Relief Pressure	20.6 MPa
Service Port 1	
Flow Rate	91.7 L/min
Hydraulic Pressure	20.6 MPa
Service Port 2	
Flow Rate	38.9 L/min
Hydraulic Pressure	20.6 MPa
Service Port 3	
Hydraulic Pressure	20.6 MPa
Service Port 4	
Flow Rate	38.9 L/min
Hydraulic Pressure	20.6 MPa

## SAFETY and HEALTH

Vibration Levels	
Hand / Arm	≤ 2.5 m/s <sup>2</sup>
Body	≤ 0.5 m/s <sup>2</sup>
Sound Power Level	LWA 96 dB



Canopy Display



Cab Display

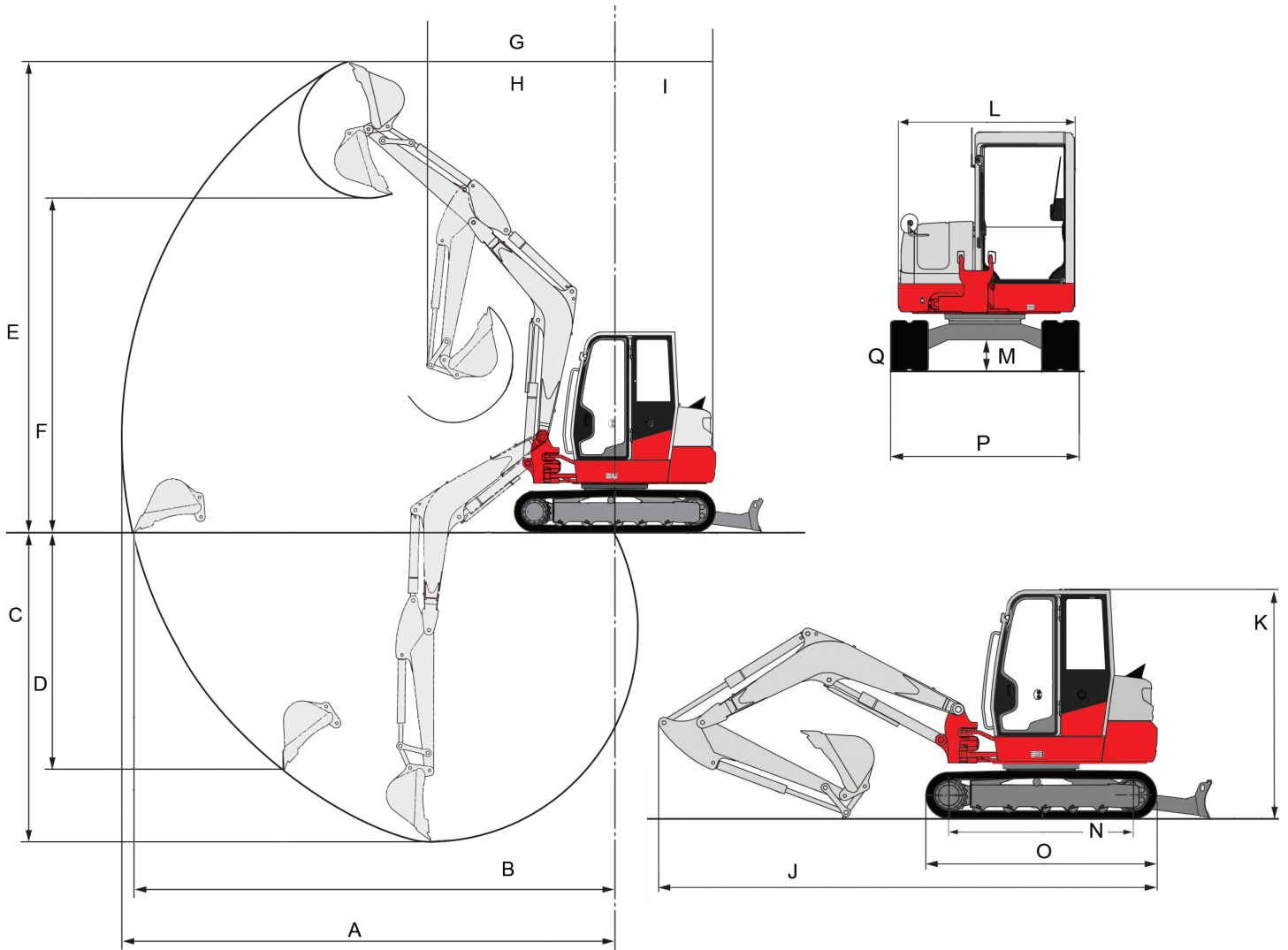


Auxiliary Hydraulic Lines



Multi-Function Switch Bank

# TB250-2 Compact Excavator



MACHINE DIMENSIONS	1,600 mm Arm	1,760 mm Arm
A Maximum Reach	5,980 mm	6,120 mm
B Maximum Reach at Ground Level	5,840 mm	5,985 mm
C Maximum Digging Depth	3,620 mm	3,780 mm
D Maximum Vertical Digging Depth	2,860 mm	2,985 mm
E Maximum Height of Cutting Edge	5,580 mm	5,655 mm
F Maximum Dumping Height	3,965 mm	4,045 mm
G Front Swing Radius	2,320 mm	2,330 mm
H Front Swing Radius with Boom Offset	1,840 mm	1,850 mm
I Slew Radius		1,360 mm
J Overall Length	5,460 mm	5,495 mm
K Overall Height (Cab / Canopy)	2,555 mm / 2,570 mm	
L Upper Structure Overall Width	1,720 mm	
M Ground Clearance	335 mm	
N Crawler Base	1,975 mm	
O Crawler Overall Length	2,500 mm	
P Crawler Overall Width	1,840 mm	
Q Crawler Shoe Width	400 mm	



© 2019 Takeuchi MFG. Co., Ltd. All Rights Reserved. In accordance with our established policy of continued improvement, specifications and features are subject to change without notice. Pictures may show options other than standard equipment.

FORM: TB250-2 Compact Excavator Spec Sheet - Feb. 2019

**TAKEUCHI**  
From World First to World Leader