

WL20

Articulated Wheel Loaders



**WACKER
NEUSON**
all it takes!



Multi-talent in confined spaces

The Wacker Neuson wheel loader WL20 is ready to work anywhere - in the narrowest of lanes.

And not only that: The wheel loader also provides first-class work results, even in the tightest of working conditions, convincing across the board. In addition to high working comfort and excellent safety standards, the wheel loader WL20 offers extreme maneuverability, speed, is space-saving in application and is easy to transport from construction site to construction site.

- Extreme maneuverability, narrow passage width and high workplace comfort
- Hydrostatic all-wheel drive and articulated pendulum steering
- Two different driver's cabins are available: Fixed operator's canopy and fold-down operator's canopy
- High safety standards
- Large selection of attachments

WL20 Technical specifications

WL20

| | Operator's canopy | Cabin* |
|---|---------------------------------------|---------------------------------------|
| Engine / Motor | | |
| Engine / Motor manufacturer | Perkins | Perkins |
| Engine / Motor type | 403 J-11 | 403 J-11 |
| Cylinder | 3 | 3 |
| Engine performance kW | 18.4 | 18.4 |
| at rpm Maximum rpm | 2,800 | 2,800 |
| Displacement cm ³ | 1,131 | 1,131 |
| Coolant type | Water | Water |
| DEF Type | - | - |
| Emission standards stage | V | V |
| Electrical system | | |
| Operating voltage V | 12 | 12 |
| Battery Ah | 77 | 77 |
| Alternator A | 40 | 65 |
| Weights | | |
| Operating weight kg | 2,000 | 2,150 |
| Tipping load with bucket - machine straight kg | 1,215 | 1,437 |
| Tipping load with bucket - machine at angle kg | 977 | 1,206 |
| Tipping load with pallet fork - machine straight kg | 904 | 970 |
| Tipping load with pallet fork - machine at angle kg | 719 | 866 |
| Vehicle data | | |
| Bucket capacity Standard bucket m ³ | 0.2 | 0.2 |
| Traction drive | Hydrostatic via universal joint shaft | Hydrostatic via universal joint shaft |
| Axles (optional) | T80 (T94) | T94 |
| Drivers cab (optional) | FSD (EPS, EPS Plus, cabin) | Cabin |
| Speed (optional) km/h | 0-20 (30) | 0-20 (30) |
| Speed Level | 2 | 2 |
| Standard tires | 27x10.50-15 EM ET-5 | 27x10.50-15 EM ET-5 |
| Hydraulic system | | |
| Driving hydraulics - operating pressure bar | 330 | 330 |
| Operating hydraulics - operating pressure bar | 225 | 225 |
| Operating hydraulics - discharge capacity l/min | 30.8 | 36.4 |
| Filling capacities | | |
| Fuel tank capacity l | 20 | 20 |
| Engine oil l | 4 | 4.5 |
| Hydraulic oil tank l | 20 | 20 |

| | Operator's canopy | Cabin* |
|--|-------------------|--------|
| Hydraulic system l | 37 | 37 |
| Coolant l | 4.3 | 5.5 |
| Sound level | | |
| Guaranteed sound power level LwA dB(A) | 101 | 101 |
| Specified sound pressure level LpA dB(A) | 85 | 85 |

Standard bucket = digging bucket, 1,150 mm width

FSD = Operator's canopy

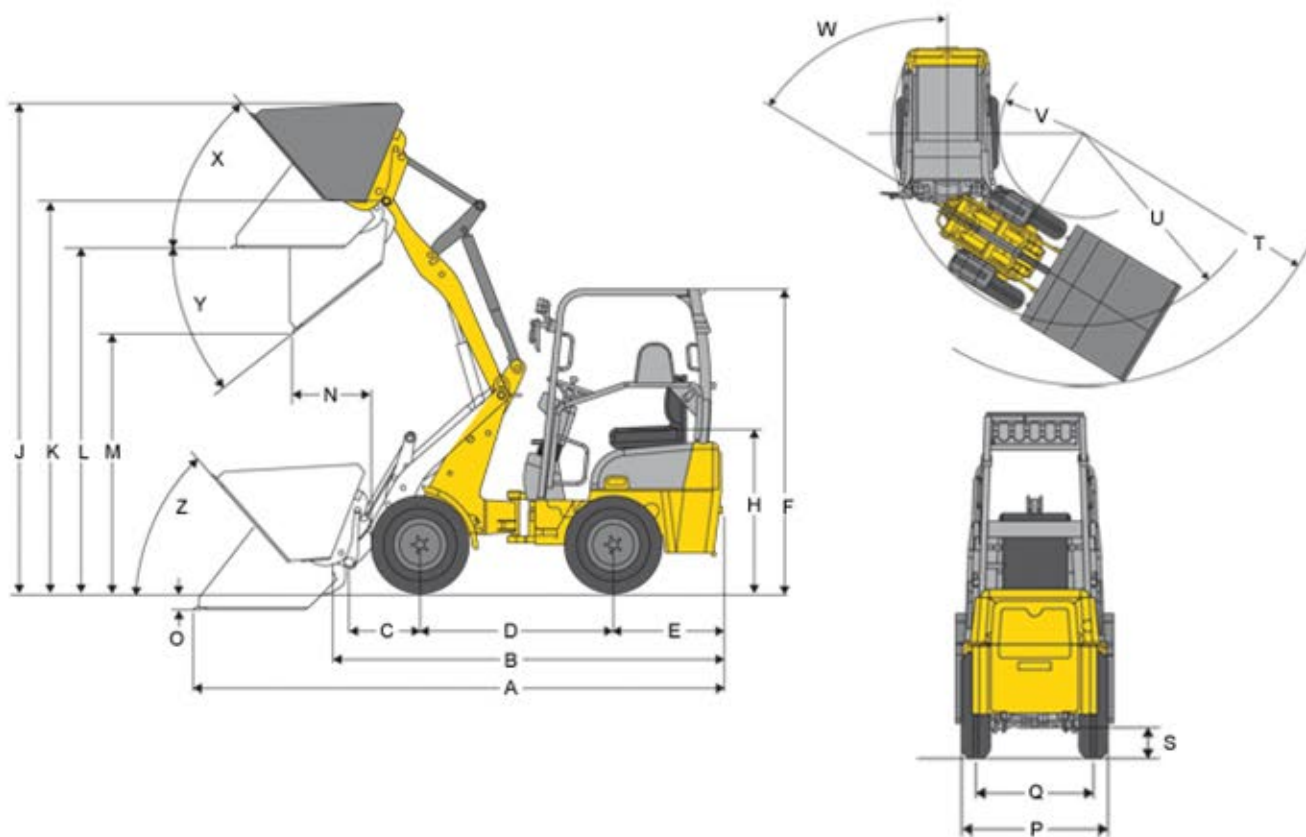
EPS = Easy Protection System (fold-down operator's canopy)

EPS Plus = Easy Protection System Plus (hydraulically lowerable operator's canopy)

Tipping load calculation according to ISO 14397-EN474-3

*Equipment version (cabin, T94 axle)

WL20 Dimensions



| | Standard tires | 27x10.5-15 EM ET-5 |
|---|---|--------------------|
| A | Overall length | 3,721 mm |
| B | Overall length without bucket | 3,063 mm |
| C | Bucket pivot point to axle center | 508 mm |
| D | Wheelbase | 1,468 mm |
| E | Rear overhang | 975 mm |
| F | Height With operator's canopy | 2,189 mm |
| F | Height With fold-down operator's canopy (EPS) | 2,293 mm |
| F | Height With fold-down operator's canopy (EPS), folded-down | 1,880 mm |
| F | Height With lowerable operator's canopy (EPS Plus) | 2,195 mm |
| F | Height With lowerable operator's canopy (EPS Plus), lowered | 1,901 mm |
| F | Height With cabin | 2,302 mm |
| H | Seat height | 1,225 mm |
| J | Total operating height | 3,274 mm |
| K | Stroke height max. - bucket pivot point | 2,693 mm |
| L | Overhead loading height | 2,424 mm |
| M | Dump height max. | 2,011 mm |
| N | Range with M | 350 mm |
| O | Scraping depth | 94 mm |
| P | Overall width | 1,076 mm |

| | | |
|---|---------------------------------------|----------|
| Q | Track width | 810 mm |
| S | Ground clearance | 207 mm |
| T | Radius maximum | 2,681 mm |
| U | Radius at outer edge | 2,356 mm |
| V | Inside turning radius | 1,219 mm |
| W | Articulation angle | 45 ° |
| X | Bucket rollback at max. stroke height | 50 ° |
| Y | Dump angle Maximum | 38 ° |
| Z | Bucket rollback at ground level | 48 ° |

All values with standard bucket: Digging bucket 1,150 mm, 0.2 m³ and standard tires: 27 x 10.5-15 EM ET-5

Please note: that product availability can vary from country to country. It is possible that information / products may not be available in your country. More detailed information on engine power can be found in the operator's manual; the stated power may vary due to specific operating conditions. Subject to alterations and errors excepted. Applicable also to illustrations.

Copyright © 2020 Wacker Neuson SE.