



SPECIFICATIONS

Power:	GH11TD - 338 kW (460 PS) @ 1800 rpm
Torque:	GH11TD - 2200 Nm (1623 lb.ft) @ 1200 rpm
Transmission:	ESCOT-VI automated manual transmission (AMT)
Rear Suspension:	Leaf spring or electronically controlled air suspension
Wheelbase:	Refer weights and dimensions table
GVM:	32,000 kg
GCM:	60,000 kg

Note: CG 32 460 shown may not be representative of actual vehicle.

QUON UNIQUE FEATURES



SMART FUEL EFFICIENCY AND RESPECT FOR THE ENVIRONMENT

GH11 engine: fuel efficient, powerful and clean.



SMART UPTIME

Quon has been designed to further optimise uptime, with superior reliability and increased maintenance intervals.



SMART SAFETY

Active safety with mechanical and electronic features throughout.



SMART PRODUCTIVITY

Light weight chassis helping to maximise payload.



SMART DRIVABILITY

The cabin has been designed with the user's comfort in mind, with outstanding ergonomics and visibility allowing the driver to concentrate on driving.

GENERAL SPECIFICATIONS

SAFETY

Passive Safety: Highly rigid cabin
Side door beams
Front underrun protection system (FUPS)
SRS driver steering wheel airbag
Driver side seat belt with pre-tensioner
Steering wheel & column with impact absorption function

Active Safety: Traffic Eye Brake System
Traffic Eye Cruise Control
LDWS (Lane Departure Warning System)
Electronic Stability Control (UDSC)

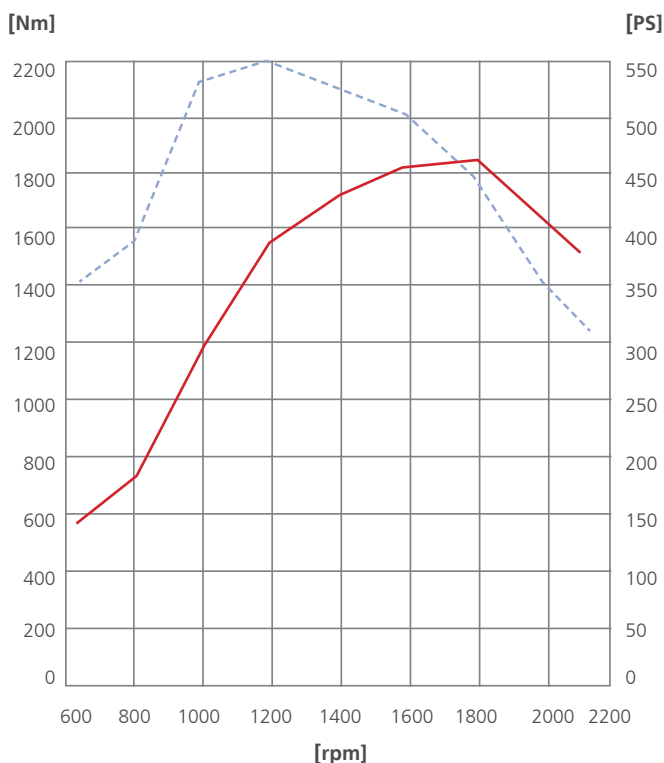
Basic Safety: LED Headlamps
Disc brakes
Anti Locking Brake System
Emergency Braking System
UD Extra Engine Braking (UD EEB)
Safe Brake Blending
Immobiliser
Two-step entry & exit

ENGINE

Model: GH11TD
Description: 6 cylinder, 4 stroke diesel engine
Displacement: 10,837 cc
Bore x stroke: 123 mm x 152 mm
Compression ratio: 17.5:1
Max. governed engine speed: 2,100 rpm

GH11TD460PS

338kW(460PS) / 1,800rpm
2,200Nm(2200Nm (1623lb ft) / 1200rpm



FUEL AND INTAKE SYSTEM

Fuel capacity: 400 litres
Injection type: High pressure common rail direct fuel injection system
Filtration: Chassis mounted primary filter and engine mounted secondary filter

EMISSION CONTROL

Emission standard: pPNLT (equivalent to Euro 6 emission requirements)
Adblue capacity: 5200mm & 5700mm WB - 50 litres
Exhaust system: RHS chassis mounted box muffler

ELECTRICAL

Power: 24 volt, negative ground system
Battery capacity: 2 x 12 volt 165 Ah batteries
Alternator: 150 amp

TRANSMISSION

Make: UD Trucks
Model: ESCOT-VI (AT02612F)
Description: Automated manual transmission (AMT)
12 forward & 2 reverse gears
Shift type: Electronic shifter with fully automatic or manual control
Gear ratios:

1st	11.73	7th	2.70
2nd	9.21	8th	2.12
3rd	7.09	9th	1.63
4th	5.57	10th	1.28
5th	4.35	11th	1.00
6th	3.41	12th	0.78
Rev 1	13.73	Rev 2	10.78

PTO capacity: 500 Nm @ 103% or 81% (PTR-FH6)
1000 Nm @ 115% or 90% (PTR-D)

FRONT AXLE AND SUSPENSION SYSTEM

Ground capacity: 13,000 kg
Axle type: Reverse Elliot I-Beam
Suspension: Parabolic leaf spring with shock absorbers
Spring dimensions: 90mm x 1460mm
Spring constant: 347.7 N/mm

REAR AXLE AND SUSPENSION SYSTEM

Ground capacity: 20,000 kg
Axle type / model: Single reduction, hypoid gear, with cross locks
Final reduction ratio: 4.13 air, 4.50 leaf
LEAF SUSPENSION: Multi-leaf spring suspension, with rubber cushions
Description: 75mm x 1380mm
Leaf dimensions:
AIR SUSPENSION: 8 air bag
Description: 2 telescopic double acting
Shock absorbers: Electronic Controlled Air Suspension with remote control mounted in cab (ECAS4)
Control system:

BRAKES	
Type:	Electronic braking system (EBS) with disc brakes
Front/Rear:	430 mm rotors / 430 mm rotors
Park brakes:	Hand-operated pneumatic spring park brake on drive axles
Auxiliary brake:	Exhaust plus engine compression type (EEB)
Trailer connections:	Air and electrical connections to rear of chassis
STEERING	
Type:	Recirculating ball and screw with hydraulic assist
Steering gear ratio:	24.1 - 26.8 : 1
Column:	Adjustable, tilt and telescopic control
Steering wheel:	460 mm diameter with ignition key steering lock
WHEELS & TYRES	
Wheels:	8.25in X 22.5in rim with 165mm offset and ISO 10 stud pattern (335mm PCD)
Front tyres Leaf sus:	295/80 R22.5 Bridgestone
Rear tyres Leaf sus:	11R 22.5 Bridgestone
Front tyres Air sus:	275/70 22.5 Bridgestone
Rear tyres Air sus:	275/70 22.5 Bridgestone
FRAME	
Width:	850 mm
Side rail dimensions:	300 mm x 90 mm x 8 mm
Material:	Rolled high tensile carbon steel
Tensile strength:	600MPa / max stress for frame - 80.6 MPa
STANDARD DRIVER AIDS	
Warning systems:	Visual warning lamps with audible warning tones, plus written warnings displayed on LCD screen
Driver assistance:	Driver information including: date, time, oil pressure, voltmeter, trip information Electronic stalk mounted cruise control GPS satellite navigation with HERE® truck mapping
INTERNAL CABIN	
Lighting:	Dual ON/OFF/DOOR interior lights Interior neon cabin lamp
Seating capacity:	Two
Driver's seat:	Air-suspended seat with adjustable shock absorber, recliner, height control, armrest & lumbar adjustment
Passenger seat/s:	Assistant seat with adjustable head rest
Sleeping capability:	ADR 42/04 compliant sleeper bunk with mattress
Side windows:	Power operated door glass
Security:	Remote central locking with immobiliser
Air conditioning:	Fully automatic climate controlled airconditioning with recirculation filter
Multimedia unit:	Touchscreen CD/DVD player with truck specific satellite navigation, digital radio USB port, auxiliary port, micro SD slot, bluetooth.
Storage:	Multiple in-cab compartments
Power outlet:	24 volt 240W & 12 volt 120W in dash
DIN accessory fitment:	Two DIN sized compartments
Floor covering:	Vinyl
EXTERNAL CABIN	
Cab Description:	Forward control, pressed steel construction
Mounting type:	Full floating, 4 bag air suspended cab with 4 dual acting shock absorbers and dual automatic height control valves.
Cab paint:	Standard – W33 "Jumping White"
Inspection points:	Back of the cab and front panel
Bumper type:	3 piece with steel corner panels
Mirrors:	Heated and electrically operated main mirrors with flat glass, wide vision and passenger-side downward facing spot mirrors
Lamps:	LED head lamps (low beam) Bumper mounted fog lamps Roof mounted clearance lights
Wipers:	Triple arm, 2 speed wipers with variable intermittent operation and integrated washers
Reversing system:	Reverse beeper and digital infrared camera with microphone
DEALER FIT OPTIONAL EQUIPMENT	
Wheels:	Alcoa aluminium wheels
Rear engine PTO:	DIN 5462 or Flange SAE1410; 650 Nm capacity

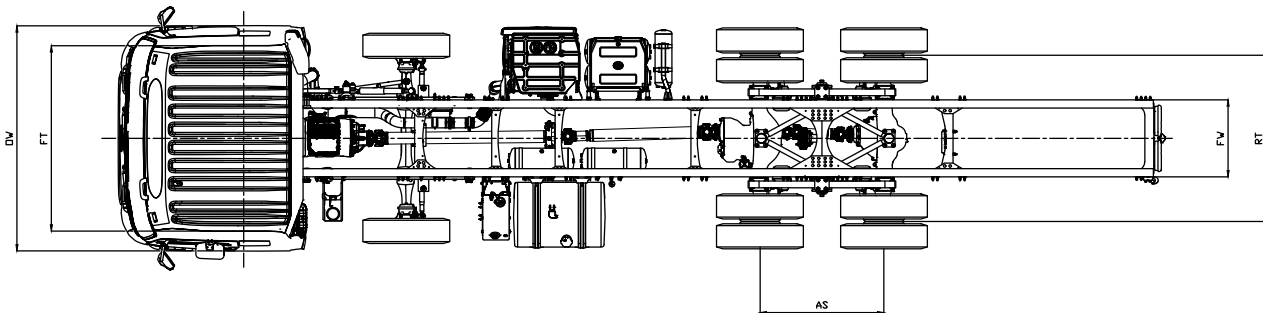
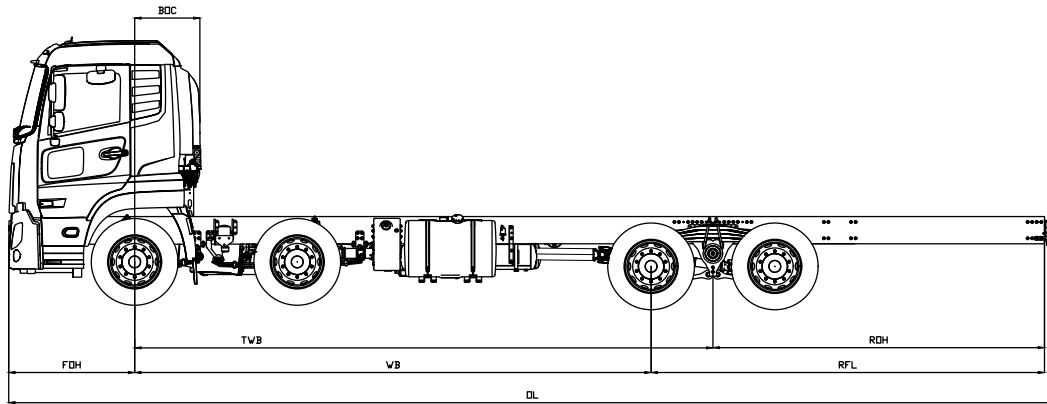
WEIGHTS AND DIMENSIONS (approx.)

Variant	Model	WB Code	GVM	GCM	Front Tare	Rare Tare	Total Tare	WB	TWB	OL	OW	OH	FT	RT	FW	AS	FOH	ROH	RFL	BOC	CA	GC	FHF	FHR
Air	CG32460TAA	T	32000	60000	5670	2960	8630	5200	5885	9917	2490	2945	2044	1833	850	1370	1392	2510	3195	735	4466	210	1020	1030
Leaf	CG32460VAL	V			5830	3340	9170	5700	6385	11566	3000	3000	2945	2044	850	1370	1392	3660	4345		4965	249	1060	1100

Rated GVM and axle capacities are subject to legal requirements.

Mass is an estimation only based on standard model, 50 litres Diesel fuel, full AdBlue, excludes driver and tools.

Based on vehicle with standard wheels and tyres.



WARRANTY

Standard Warranty - Refer to Warranty Schedule