

1501

Wheel Dumpers



**WACKER
NEUSON**
all it takes!



Still more possibilities

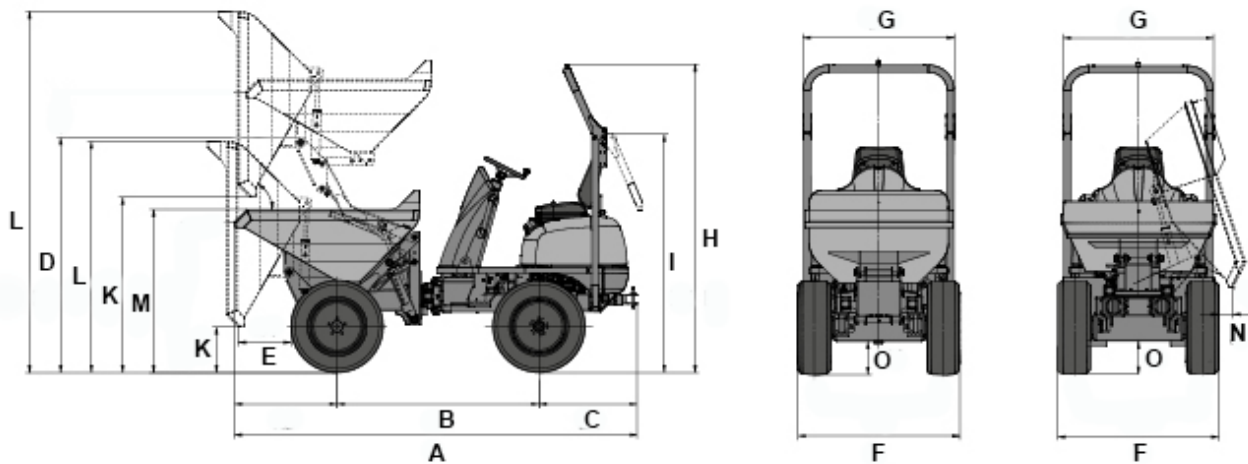
The 1,500 kg payload and optional swivel tipping skip enhance the range and variety of the dumper's applications. Even in very confined spaces, materials can be dumped precisely.

- High-tipping skip (1.45 m dumping height); optional swivel tipping skip, maximum payload 1,500 kg.
- Hydrostatic twin-lock four-wheel drive.
- Continuously variable speed up to 16 km/h max.
- Large service and maintenance access.
- Clearly laid out instrument panel and wide, robust leg protection.

1501 Technical specifications

	High tip skip	Swivel tip skip
Operating data		
Payload kg	1,500	1,500
Shipping weight kg	1,320	1,261
Skip capacity level I	650	650
Skip capacity heaped I	800	800
Engine / Motor		
Engine / Motor manufacturer	Yanmar	Yanmar
Engine / Motor type	3TNV76	3TNV76
Engine / Motor	Diesel	Diesel
Engine performance acc. to ISO 3046/1 kW	18.95	18.9
Emission standards stage	5	5
Displacement cm ³	1,116	1,116
Engine RPM rpm	3000	3000
Travel speed km/h	16	16
Articulation angle °	33	33
Pendulum angle °	15	15
Turning radius mm	3,300	3,300
Gradeability %	50	50
Tires	10.00/75-15	10.00/75-15
L x W x H mm	3300 x 1305 x 2550	3220 x 1305 x 2550
Steering pump	axial piston pump	axial piston pump
Flow rate l/min	135	135
Operating pressure bar	360	360
Duty pump	gear pump	gear pump
Flow rate l/min	25	25
Operating pressure bar	170	170
Fuel tank capacity l	20	20
Sound level (LwA) dB(A)	101	101

1501 Dimensions



		High tip skip	Swivel tip skip
A	Overall length	3,300 mm	3,220 mm
B	Wheelbase	1,650 mm	1,700 mm
C	Rear overhang	810 mm	810 mm
D	Height	1,885 mm	
E	Dumping distance	400 mm	280 mm
F	Width	1,350 mm	1,305 mm
G	Skip width	1,225 mm	1,260 mm
H	Height ROPS	2,550 mm	2,550 mm
I	Height ROPS tipped	1,960 mm	1,960 mm
K	Dump height max.	370 mm	680 mm
K	Dump height max. High tip skip raised	1,450 mm	
L	Skip height tipped	1,895 mm	2,250 mm
L	Skip height High tip skip raised	2,975 mm	
M	Skip height	1,345 mm	1,300 mm
N	Dumping distance lateral		100 mm
O	Ground clearance	260 mm	260 mm

Please note: that product availability can vary from country to country. It is possible that information / products may not be available in your country. More detailed information on engine power can be found in the operator's manual; the stated power may vary due to specific operating conditions. Subject to alterations and errors excepted. Applicable also to illustrations.
Copyright © 2020 Wacker Neuson SE.