

RCD/RCG Technical Data Diesel and LPG Forklift Trucks

[RCD/RCG 15](#)

[RCD/RCG 18](#)

[RCD/RCG 20](#)

[RCD/RCG 40](#)

[RCD/RCG 50](#)





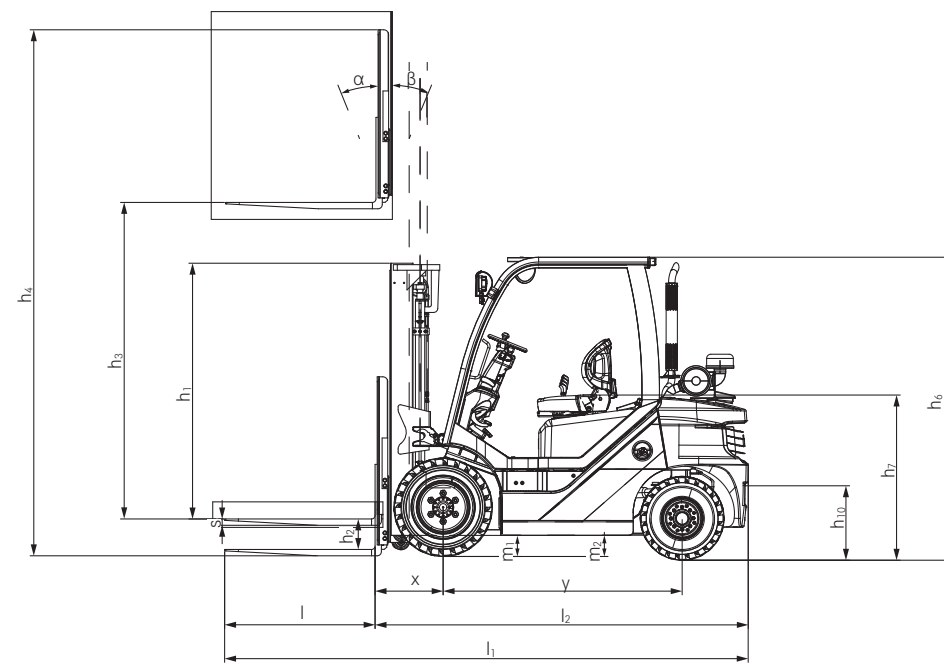
				STILL	STILL	STILL	STILL	STILL	STILL	STILL	STILL	STILL	STILL		
Features	1.1	Manufacturer													
	1.2	Manufacturer's type designation		RCD 15	RCD 18	RCD 20	RCD 40	RCD 50	RCG 15	RCG 18	RCG 20	RCG 40	RCG 50		
	1.2.1	Manufacturer's type number		4211	4212	4213	4231	4233	4214	4215	4216	4234	4236		
	1.3	Drive		Diesel	Diesel	Diesel	Diesel	Diesel	LPG	LPG	LPG	LPG	LPG		
	1.4	Operation		Seated	Seated	Seated	Seated	Seated	Seated	Seated	Seated	Seated	Seated		
	1.5	Rated capacity/rated load	Q	kg	1500	1800	2000	4000	5000	1500	1800	2000	4000	5000	
	1.6	Load centre distance	c	mm	500	500	500	500	500	500	500	500	500	500	
	1.8	Load distance	x	mm	435	435	435	562	567	435	435	435	562	567	
	1.9	Wheel base	y	mm	1500	1500	1500	2000	2000	1500	1500	1500	2000	2000	
Weights	2.1	Service weight		kg	3100	3250	3320	6800	7340	3095	3250	3360	6800	7360	
	2.2	Axle load, laden	front/rear	kg	3800/600	4370/680	4460/800	9627/1243	11000/1420	3800/600	4370/680	4500/840	9550/1250	11020/1440	
	2.3	Axle load, unladen	front/rear	kg	1080/2020	1320/1930	1300/2020	2731/3676	3120/4200	1080/2020	1320/1930	1280/2080	3340/3460	3140/4220	
Tyres/chassis	3.1	Tyres			Superelastic	Superelastic	Superelastic	Superelastic	Superelastic	Superelastic	Superelastic	Superelastic	Superelastic		
	3.2	Tyre size	front		6.50-10/14PR	6.50-10/14PR	6.50-10/14PR	300*15/20PR	300*15/20PR	6.50-10/14PR	6.50-10/14PR	6.50-10/14PR	300*15/20PR	300*15/20PR	
	3.3	Tyre size	rear		5.00-8/10PR	5.00-8/10PR	5.00-8/10PR	7.00-12/12PR	7.00-12/12PR	5.00-8/10PR	5.00-8/10PR	5.00-8/10PR	7.00-12/12PR	7.00-12/12PR	
	3.5	Wheels, number (x = driven wheels)	front/rear		2x/2	2x/2	2x/2	2x/2	2x/2	2x/2	2x/2	2x/2	2x/2	2x/2	
	3.6	Track width	front	b ₁₀	mm	940	940	940	1180	1180	940	940	940	1180	1180
	3.7	Track width	rear	b ₁₁	mm	920	920	920	1190	1190	920	920	920	1190	1190
	4.1	Tilt of mast/fork carriage	forward/backward	α/β	°	6/12	6/12	6/12	6/12	6/12	6/12	6/12	6/12	6/12	6/12
Basic dimensions	4.2	Height of mast	mast lowered	h ₁	mm	2002	2002	2002	2390	2390	2002	2002	2002	2390	2390
	4.3	Free lift		h ₂	mm	128	128	128	150	150	128	128	150	150	
	4.4	Lift		h ₃	mm	3000	3000	3000	3000	3000	3000	3000	3000	3000	
	4.5	Height of mast	mast extended	h ₄	mm	4040	4040	4040	4275	4275	4040	4040	4040	4275	4275
	4.7	Height above protective roof (cab)		h ₆	mm	2085	2085	2085	2260	2260	2085	2085	2085	2260	2260
	4.8	Seat height relating to SIP/stand height		h ₇	mm	1140	1140	1140	1315	1315	1140	1140	1140	1315	1315
	4.12	Coupling height		h ₁₀	mm	220	220	220	380	380	220	220	220	390	380
	4.19	Overall length		l ₁	mm	3282	3316	3490	4180	4230	3282	3316	3490	4186	4221
	4.20	Length including fork backs		l ₂	mm	2362	2396	2420	3110	3160	2362	2396	2420	3116	3151
	4.21	Overall width		b ₁	mm	1140	1140	1140	1485	1485	1140	1140	1140	1485	1485
	4.22	Fork dimensions		s/e/l	mm	35/120/1070	35/120/1070	40/122/1070	50/150/1070	55/150/1070	35/120/1070	35/120/1070	40/122/1070	50/150/1070	55/150/1070
	4.23	Fork carriage ISO 2328, class/type A, B				II A	II A	II A	III A	III A	II A	II A	II A	III A	III A
	4.24	Fork carriage width		b ₃	mm	1040	1040	1040	1380	1380	1040	1040	1040	1480	1480
	4.31	Ground clearance, laden, below mast		m ₁	mm	110	110	110	145	145	110	110	110	145	145
	4.32	Ground clearance, centre of wheelbase		m ₂	mm	105	105	105	180	180	105	105	105	180	180
	4.33	Aisle width for pallets 1000 x 1200 crossways		A _{st}	mm	3795	3815	3835	4552	4597	3795	3815	3835	4557	4597
	4.34	Aisle width for pallets 800 x 1200 lengthways		A _{st}	mm	3995	4015	4035	4752	4797	3995	4015	4035	4757	4797
	4.35	Turning radius		W _s	mm	2160	2180	2200	2790	2830	2160	2180	2200	2795	2830
4.36	Smallest pivot point distance		b ₁₃	mm	601	601	601	900	900	601	601	601	922	922	
Performance data	5.1	Driving speed	laden/unladen		km/h	17/17	17/17	17/17	24/25	24/25	17/17	17/17	24/26	24/26	
	5.2	Lifting speed	laden/unladen		m/s	0.65/0.76	0.59/0.76	0.53/0.76	0.44/0.53	0.44/0.53	0.55/0.61	0.55/0.61	0.55/0.61	0.47/0.53	0.47/0.53
	5.3	Lowering speed	laden/unladen		m/s	0.48/0.43	0.48/0.43	0.48/0.43	0.42/0.36	0.42/0.36	0.48/0.43	0.48/0.43	0.48/0.43	0.43/0.36	0.43/0.36
	5.5	Drawbar pull	laden/unladen		kN	16/10	16/10	16/10	25/23	25/23	16/10	16/10	16/10	24/21	24/21
	5.7	Gradeability	laden/unladen		%	20/20	20/20	20/20	20/20	20/20	20/20	20/20	20/20	20/20	20/20
	5.9	Acceleration time	laden/unladen		s	5.4/4.8	5.4/4.8	5.4/4.8	5.8/4.8	5.8/4.8	4.8/4.3	4.8/4.3	4.8/4.3	5.7/4.9	5.6/4.3
5.10	Service brake				Mechanical/hydraulic	Mechanical/hydraulic	Mechanical/hydraulic	Mechanical/hydraulic	Mechanical/hydraulic	Mechanical/hydraulic	Mechanical/hydraulic	Mechanical/hydraulic	Mechanical/hydraulic	Mechanical/hydraulic	
IC engine	7.1	Acceleration time				Doosan	Doosan	Doosan	Deutz	Deutz	Doosan	Doosan	Doosan		
	7.1.1	Type				DM02	DM02	DM02	TCD2.9 L4	TCD2.9 L4	G2.2	G2.2	G2.2	P34	P34
	7.2	Engine performance in accordance with ISO 1585			kW	36.4	36.4	36.4	55.4	55.4	40	40	40	55.2	55.2
	7.3	Nominal speed			l/min	2400	2400	2400	2300	2300	2600	2600	2600	2300	2300
	7.4	Number of cylinders				4	4	4	4	4	3	3	3	4	4
	7.4.1	Capacity			cm ³	2400	2400	2400	2900	2900	2200	2200	2200	3400	3400
		Emission level acc. to EU Regulation 2016/1628				Stage V	Stage V	Stage V	Stage V	Stage V	Stage V	Stage V	Stage V	Stage V	Stage V
	7.5	Fuel consumption in accordance with EN 16796			l/h	1.7	1.9	2.1	4.3	4.6	2.9	3	3	6	6.4
	7.6	Turnover output according to EN 16796			t/h	67	75	83	164	173	73	76	78	163	175
	7.7	Turnover efficiency according to EN 16796			t/l	14	15	17	21	23	16	16	17	19	20
7.9	Vehicle electrical system voltage			V	12	12	12	12	12	12	12	12	12	12	
8.1	Type of drive unit				Torque converter	Torque converter	Torque converter	Torque converter	Torque converter	Torque converter	Torque converter	Torque converter	Torque converter	Torque converter	
Miscellaneous	10.1	Operating pressure for attachments			bar	165	165	165	200	200	165	165	200	200	
	10.2	Oil volume for attachments			l/min	23	23	23	101	101	23	23	108	108	
	10.4	Fuel tank, capacity			l	54	54	54	90	90	11	11	22	22	
	10.7	Sound pressure level L _{PAZ} ¹ (operator's position)			dB(A)	88	88	88	85	85	80	80	80	86	86
	10.7.1	Sound power level during the work cycle acc. to EN 12053			dB(A)	108	108	108	108	108	100	100	100	110	110
10.8	Towing coupling, type DIN 15170				Bolt	Bolt	Bolt	Bolt	Bolt	Bolt	Bolt	Bolt	Bolt	Bolt	

¹ Without cab; with cab values may differ

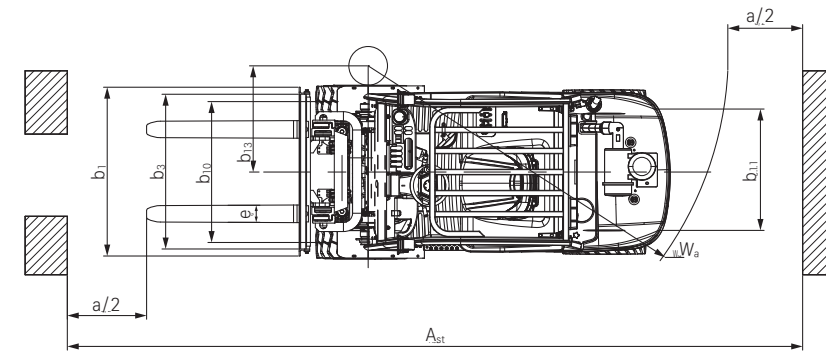


				Telescopic mast					HiLo mast			Triplex mast						
				mm	mm	mm	mm	mm	mm	mm	mm	mm	mm	mm	mm	mm	mm	
RCD/RCG 15-20	Nominal lift	h_3	mm	3000	3300	4000	4500	5000	3000	3300	4000	4350	4500	4700	4800	5000	5500	6000
	Height	h_1	mm	2002	2152	2552	2802	3052	2002	2152	2552	2102	2152	2217	2252	2395	2629	2862
	Free lift	h_2	mm	128	128	128	128	128	1411	1561	1961	1489	1539	1604	1639	1782	2016	2249
	Height mast extended	h_4	mm	4041	4341	5041	5541	6041	4041	4341	5041	5391	5541	5741	5841	6041	6541	7041
	Tilt of mast forward/backward	α/β	°	6/12	6/12	6/8	6/6	3/6	6/12	6/12	6/8	6/6	6/6	6/6	6/6	6/6	3/6	3/6
	Tyres front/rear			6,50-10/14PR/5,00-8/10PR														
	Track front/rear	b_{10}/b_{11}	mm	940/920														
Maximum width	b_1	mm	1140															
RCD/RCG 40-50	Nominal lift	h_3	mm	3000	3300	4000	4500	5000	3000	3500	4000	3920	4350	4500	4700	5000	5500	6000
	Height	h_1	mm	2390	2540	2940	3190	3440	2390	2640	2890	2245	2390	2441	2507	2640	2807	3005
	Free lift	h_2	mm	150	150	150	150	150	1544	1794	2044	1399	1544	1595	1661	1794	1961	2159
	Height mast extended	h_4	mm	4275	4575	5275	5775	6275	4275	4775	5275	5195	5625	5775	5975	6275	6771	7275
	Tilt of mast forward/backward	α/β	°	6/12	6/12	6/8	6/6	3/6	6/12	6/12	6/8	6/6	6/6	6/6	6/6	6/6	3/6	3/6
	Tyres front/rear			28*9-15/14PR/6,50-10/10PR														
	Track front/rear	b_{10}/b_{11}	mm	1180/1190														
Maximum width	b_1	mm	1485															

Technical Drawings



Side view

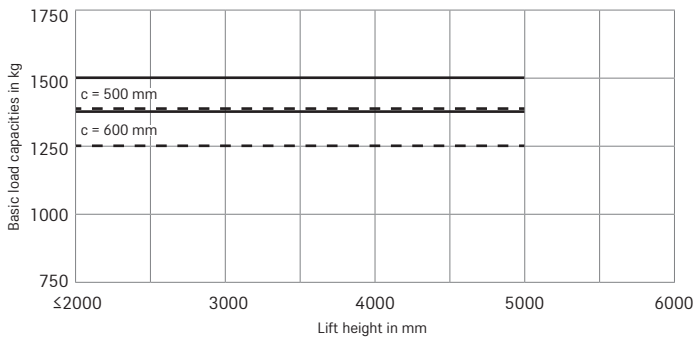


Top view

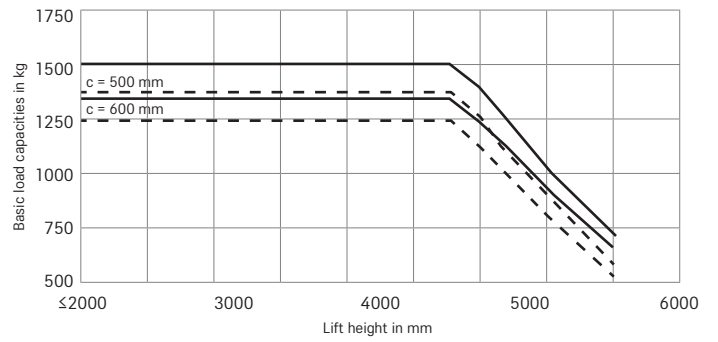
RCD/RCG Diesel and LPG Forklift Trucks

Basic Load Capacities

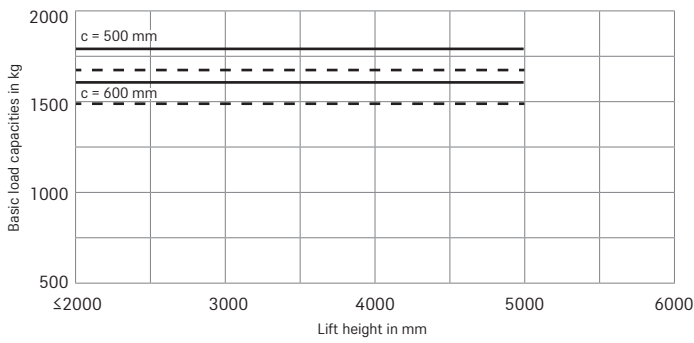
RCD/RCG 15 Telescopic/HiLo - Single superelastic tyres



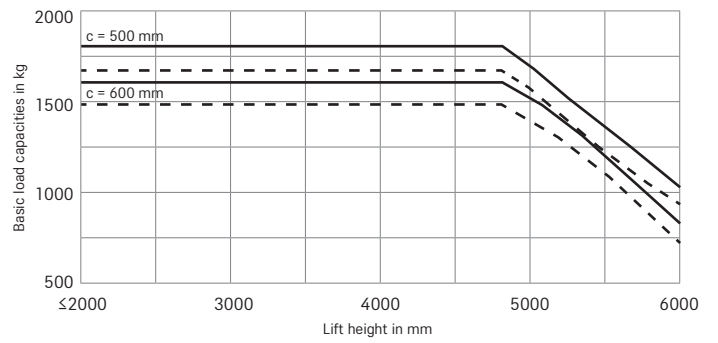
RCD/RCG 15 Triplex - Single superelastic tyres



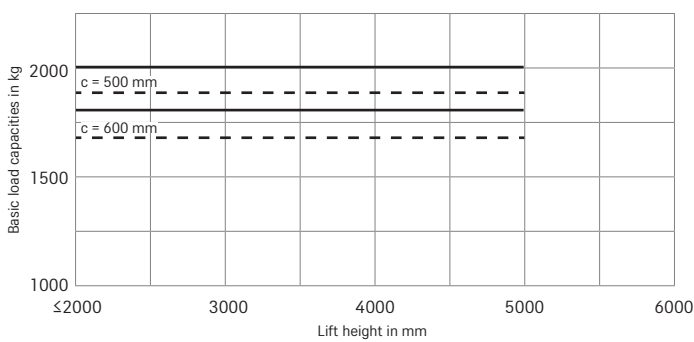
RCD/RCG 18 Telescopic/HiLo - Single superelastic tyres



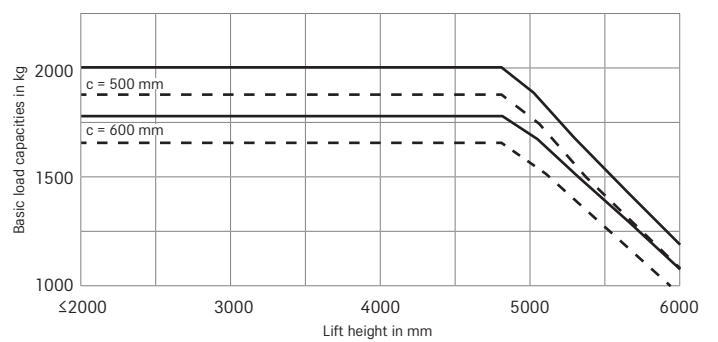
RCD/RCG 18 Triplex - Single superelastic tyres



RCD/RCG 20 Telescopic/HiLo - Single superelastic tyres



RCD/RCG 20 Triplex - Single superelastic tyres

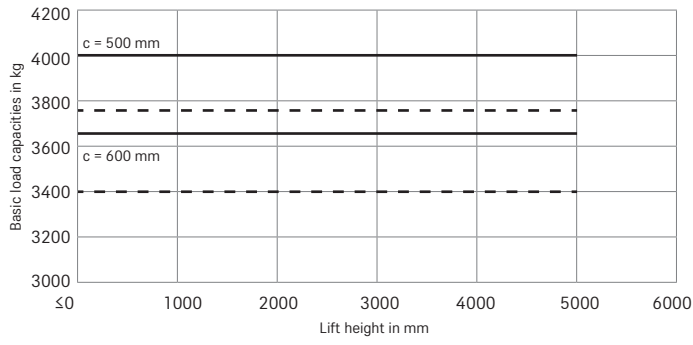


— Standard - - - With integrated sideshift fork positioner and standard forks
 Values may vary depending on the truck equipment

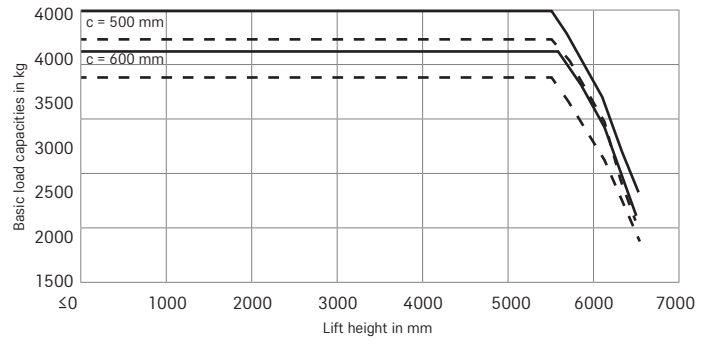
RCD/RCG Diesel and LPG Forklift Trucks

Basic Load Capacities

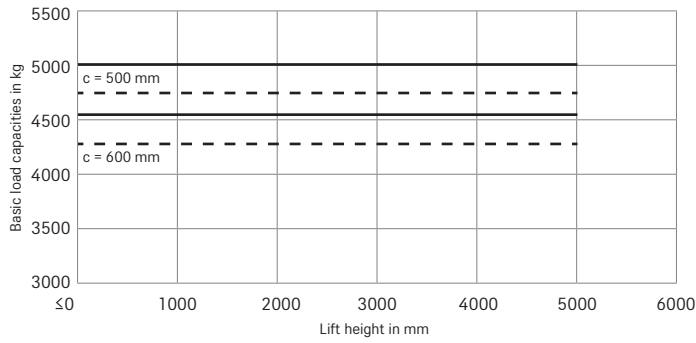
RCD/RCG 40 Telescopic/HiLo - Single superelastic tyres



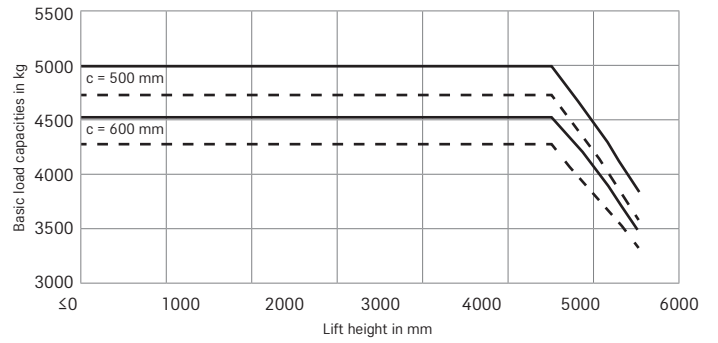
RCD/RCG 40 Triplex - Single superelastic tyres



RCD/RCG 50 Telescopic/HiLo - Single superelastic tyres



RCD/RCG 50 Triplex - Single superelastic tyres



Standard
 With integrated sideshift fork positioner and standard forks
 Values may vary depending on the truck equipment

RCD/RCG Diesel and LPG Forklift Trucks
Detailed Photos



Good visibility through the mast for increased safety and high turnover*



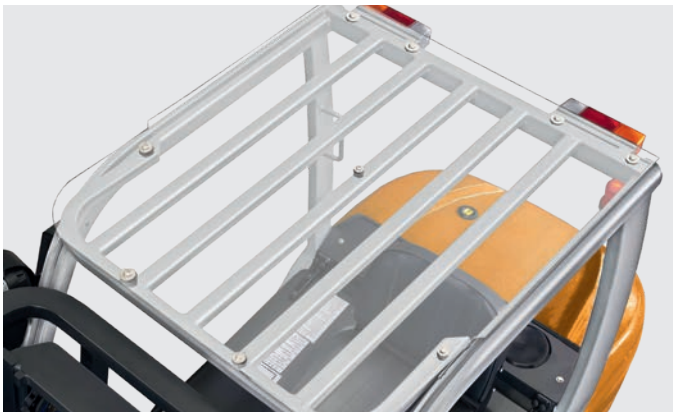
The ergonomically designed operator platform is spacious and well organised with intuitive operating controls**



The seamlessly adjustable steering column allows operators to select the most comfortable driving position



The multi-lever controls give the operator maximum control when using the hydraulic lifting system



Narrow bars on the overhead guard ensure optimum visibility and maximum safety



High maintainability thanks to fast and convenient access to the engine compartment**



Get on and off safely thanks to the wide metal step with anti-slip profile



Ergonomic cylinder exchange: Hinged and swivelling holders available for different types of LPG cylinders

* applies to RCD/RCG 15/18/20
** applies to RCD/RCG 40/50



RCD/RCG Diesel and LPG Forklift Trucks

The access to success

High performance: Powerful and reliable industrial motor

Everything in sight: Optimum view of forks and load carriers thanks to slim mast profile

Maximum safety: Robust overhead guard maximises the operator's view in all directions



The RCD/RCG is sure to put you on the road to success. A truck that has been developed for all those who are looking for a robust counterbalanced truck in the low-cost segment, ready for immediate use - without having to forgo the proven STILL quality. Available in a diesel or LPG version and with a lifting capacity of 1.5 to 2.0 and from 4.0 to 5.0 tonnes, the RCD/RCG is a versatile all-rounder that offers an unmatched price-performance ratio. Whether you are handling containers, trailers or pallets, on ramps or on the flat, you can count on this counterbalanced forklift truck to safely transport

your goods to their destination. The suspension system for the operator's cab absorbs any jolts and vibrations caused by uneven floors; the hydraulic system is also very easy to control; and the operator enjoys excellent visibility on all sides. Furthermore, you can choose from a wide range of equipment options to suit your particular logistics planning requirements. It might be an entry-level truck, but with all these benefits, the RCD/RCG more than lives up to STILL's exceptional quality standards.

The 'Simply Efficient' factors: Performance attributes as a measure of economic efficiency



Simply easy

- Precise operation: Intuitive and precise load handling made easy thanks to separate inch pedal
- Direct transmission control: Quiet and smooth driving experience, even at low speeds and on ramps
- Comfortable operator's cab: Excellent suspension to absorb jolts and vibrations; comfortable seat; and large footwell with foot-operated parking brake



Simply powerful

- Reliable performance: Powerful industrial engine for reliable performance
- Adaptable to on-site conditions: Choice of mast and fork lengths to suit different applications
- Store heavy loads with ease: Thanks to the high residual load capacity, even heavy loads can be lifted to the desired height
- Well-equipped for tough working conditions: Dusty environments pose no problem thanks to additional air filter



Simply safe

- Safe goods handling: Excellent visibility on all sides of the truck
- Safe entry and exit: Wide metal step with anti-slip design
- Safe and ergonomic operation: Long hydraulic control elements and separate levers for each function
- Safe working in dark environments: High-spec lighting as standard
- Safe reversing: Rear handhold with integrated horn



Simply flexible

- Low-emission engine: Diesel and LPG engines both comply with Regulation (EU) 2016/1628 (Stage V emissions limits)
- Ergonomic gas cylinder changeover: Range of swivel and fold-out holders for different LPG cylinders available
- Choice of different cab variants: Forklifts available with full and semi cab designs
- Flexible options to suit any application: Wide range of equipment and attachments to choose from



Simply connected

- Easy networking: Optional interface for integration with STILL neXXt fleet management software

RCD/RCG Diesel and LPG Forklift Trucks Equipment Variants



		Diesel		LPG	
		RCD 15/18/20	RCD 40/50	RCG 15/18/20	RCG 40/50
Driver's cab	Steel overhead guard with open design	●	●	●	●
	Various weatherproofing options	○	○	○	○
	Tarpaulin cab	—	○	—	○
	Driver's cab	○	○	○	○
	Door on right and left with double sliding windows	○	○	○	○
	Tinted front and rear windscreen, plastic roof window	○	○	○	○
	Front and rear windscreen wiper and wash system	○	○	○	○
	Handhold for reversing located on back right-hand side	●	●	●	○
	Comfortable operator's seat	●	●	●	●
	Warm water heating	○	○	○	○
	Fan to keep operator platform cool in warm conditions	○	○	○	○
Mast	Telescopic free view mast with and without full free lift	○	○	○	○
	Triplex free view mast	○	○	○	○
	Load backrest	●	●	●	●
	Various fork carriage widths	○	○	○	○
	Tilt angle 6/12 degrees, front/rear tilt	●	●	●	●
Tyres	Sideshift fork positioner	○	○	○	○
	Super-elastic tyres, single or twin	●	●	●	●
	Super-elastic tyres, natural colours, single or twin	○	○	○	○
Hydraulics	Pneumatic tyres	○	○	○	○
	Single or double-acting ancillary hydraulic system for controlling attachments	○	○	○	○
	Ergonomic and sensitive multi-lever operating controls	●	●	●	●
	High-quality multi-purpose universal oil for combustion engine and drive axle - for use all year round	●	●	●	●
Drive	Low-temperature hydraulic oil for combustion engine and drive axle - for forklifts operating in low temperatures down to -20 °C	○	○	—	—
	Valve block preparation for controlling attachments with one or two functions without hose connections	○	○	○	○
	Forklifts with LPG system	—	—	●	●
	Dry air filter with additional pre-filter	○	—	○	—
	Larger dry air filter	—	—	—	○
	Dry air filter	●	●	●	●
	Raised exhaust pipe	●	●	●	—
	Powerful industrial diesel engine - complies with Euro 5 emissions limits	●	●	—	—
	Diesel particle filter	●	●	—	—
	Powerful industrial LPG engine - complies with Euro 5 emissions limits	—	—	●	●
	Regulated 3-way catalytic converter	—	—	●	●
Brake	Ergonomic holder for LPG cylinders of different diameters - swivel and fold-out design for simpler cylinder replacement	—	—	○	—
	Holder for two LPG cylinders with different diameters - swivel design for simpler bottle replacement	—	—	—	●
	Holder for LPG cylinders with different diameters - swivel design for simpler bottle replacement	—	—	●	—
	Diesel fuel tank, 45 litres	●	—	—	—
	Diesel fuel tank, 90 litres	—	●	—	—
Safety	Mechanical/hydraulic operating brake	●	●	●	●
	Low centre of gravity and steering axle with high self-aligning bearing for optimum safety	●	●	●	●
	Simple and safe entry and exit via large non-slip steps	●	●	●	●
	Rear safety light, blue light spot and audible alarm	○	○	○	○
	Audible alarm	●	●	●	●
	LED lighting system	●	○	●	○
	Audible alarm when reversing	●	●	●	●
	Flashing light	○	○	○	○
Safety	Panoramic mirror	●	●	●	●
	External rear mirror	○	○	○	○

● Standard ○ Optional — Not available



STILL GmbH
Berzeliusstr. 10
22113 Hamburg
Germany

Tel.: +49 40 73 39 20 00

Fax: +49 40 73 39 20 01

info@still.de

For further information please visit

www.still.eu

STILL is certified in the following areas: Quality management, occupational safety, environmental protection and energy management.



first in intralogistics