

MIGHTY EX6

Cab Chassis



MIGHTY EX6

Cab Chassis

Engine			
Type	Turbo Charger Intercooler 4 stroke-cycle, Water-cooled, Direct-injection diesel Engine		
Number of Cylinder	4 in-line		
Piston Displacement (cc)	3.933cc		
		Manual (5 Speed)	Auto (6 Speed)
Max. Power** ps/rpm (kw)	Euro V	140ps/2,500 (102kw) Man	170ps/2,500 (125kw) Auto
Max. Torque ** (nm/rpm)	Euro V	289/1,400 (392nm) Man	448/1,400 (608nm) Auto
Fuel System	Injection pump	Denso Common Rail System	

Transmission			
Type	Manual (5 Speed)		Auto (6 Speed)
Version	M035 S 5		Allison 1000x fe
Drive	Single Plate Clutch		
Park Pawl	N/A		
PTO	Preperation for PTO		Preperation for PTO
Permissible Torque	147 nm 2000 Rpm		339 nm (min rpm 1200)

Front Axle		
Type	Reverse Elliot type "I" beam	
Capacity	kg	2760 kg

Front Axle		
Capacity	kg	4700 kg

Tyre & Wheel		
Type	Single Front, Dual Rear	
Tyre	Front / Rear	205/75R17.5-10PR
Wheel	Front / Rear	17.5 x 6.00

Steering	
Steering	Power Assisted Adjustable Steering Wheel

Service Brake	
Front / Rear	Disc/Disc
Vehicle Dynamic Control (VDC)	(ESC) Electronic Stability Control, (ABS) Anti Brake Skid, (HSA) Hill Start Assist, (ESS) Emergency Stop Signal

Parking Brake	
Actuation	Internal expanding type on Propeller shaft at the rear of Transmission assembly

Exhaust Brake	
Type	Vacuum operated, Butterfly Valve type

Suspension		
Type	Front / Rear	Semi-elliptic, laminated Leaf Springs
Shock absorber	Gas telescopic type on the FRONT/REAR axle	

Exhaust system	
General	Horizontal

Fuel tank	
Capacity	100ℓ

Frame	
Type	"H" type frame with channel sectional side rail & cross members, side rail is reinforced with
Main section side rail dimension (mm)	Depth x Flange x Thickness : 183 x 60 x 6t

Weights		
*Chassis cab weight kg	Range	2650 -2850 kg
** Max Gross Vehicle Weight	5,995/6,500 kg	
Gross vehicle weight	Front /Rear	2,760/4,700 kg

Electrical system		
Audio	M450 (Radio+Aux/MP3 USB) Multidisplay	
Auto Locking	Central Door Locking + Power Window + Keyless Entry + Semi Trim	
Steering Wheel Controls	Bluetooth Phone - Audio - Cruise Control	
Head lamps	Semi-sealed Beam / Adjustable Dim	
Front Combination Lamps	Turn signal / Hazard-Amber, Position - White	
Fog Lamps	White	
Rear Combination lamps	Turn signal / Hazard-Amber, Tail / Stop - Red	
License Plate Lamp	White	
Service Lamp Circuit	Yes	
Daytime Running Lights	Yes	
12v Socket in Dash	Yes	x2
Power Windows	Yes	
Back-up Lamp	White	

Instruments		
Meter Cluster	Fixed type	
Meter	Speedometer / Tachometer / Fuel gauge / Water temperature gauge LCD with odometer / Trip meter / Clock	
Warning Lamps & Indicators	Brake fluid level of reservoir / Parking brake / Oil pressure / Battery charge / Tell-tale lights for head light high beam / Turn signals / Door open / Seat belt / Low fuel	
Horn	Single, Electric	
Cruise Control	Yes	
Heating/ Air conditioning (Manual)	Yes	
Steering Wheel Audio Remote Control	Yes	
Steering Wheel Auto Cruise Control	Yes	

Body /Cab	
Type Mounting	Tilt type with torsion bars, all steel welded construction with safety zone design Rigid or Semi floating type
Windshield	One piece type with laminated glass, tinted upper section
Windshield Wipers	Dual electric three speed (intermittent / low / fast) wipers & washer
Mirrors	Mirror - Heated
Driver's Seat	Coil Suspension, urethane foam cushioned STD trim
Passenger's seat	Bench seat, STD Trim
Steering Column	Fully Adjustable
Roof Marker Lights	Yes
Overhead Storage	Yes
Mirror Width	Narrow STD (optional LONG)

Active Safety Features	
Electronic Stability Control	Yes
ABS Braking	Yes
Daytime Running Lights	Yes
Hill Start Assist	Yes
Auto Headlights	Yes
Bluetooth Hands Free	Yes
Heated Mirrors	Yes

Warranty	
Cab Chassis	3 years or 150,000km (whichever occurs first) against manufactures defects
Upper body	According to supplier
Refrigeration	Where applicable any refrigeration supplied will be either from Transcold or Thermo king , all warranty and service s be according to their terms and conditions

Annotations

- 1) Empty vehicle weight and curb weight shown are to 3.5% variation to allow for production tolerance.
- 2) Empty vehicle weight and curb weight include weight of oil, fuel, coolant and spare tire carrier & bracket, but exclude standard tool set
- 3) The vehicle specification may differ per country.
- 4) Hyundai New Zealand reserves the right to alter the specifications, equipment or options or discontinue the models at any time without prior notice.

*Approximate, depending on variant and specification

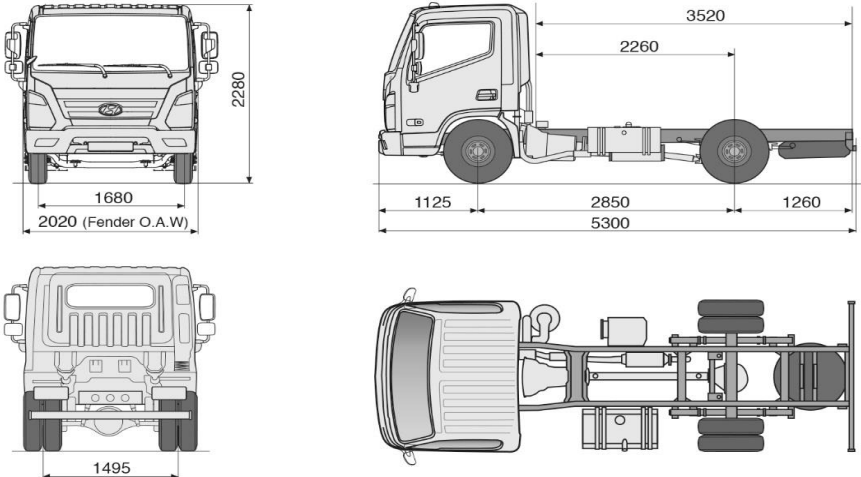
**Max GVW includes the front and rear axle loads based on permissible tyre load 5,995kg & 6,500kg variants

images may contain additional cost options

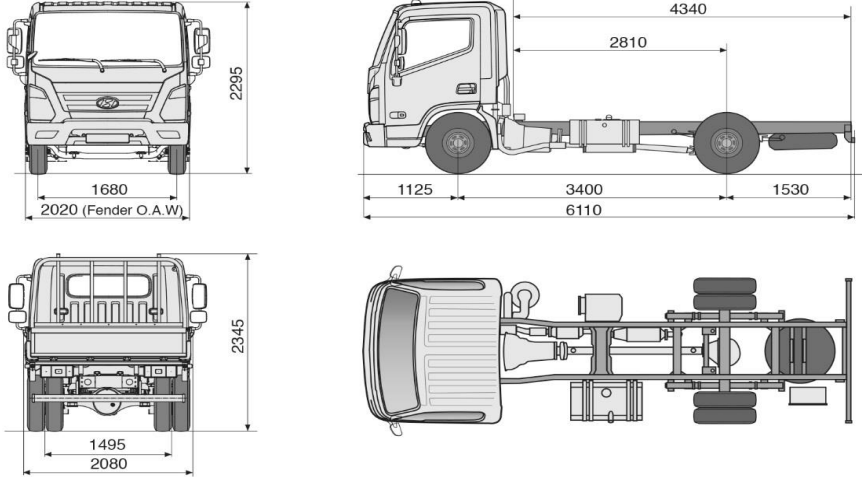
MIGHTY EX6

Cab Chassis

EX6 Std Cab Short Wheelbase



EX6 Std Cab Medium Wheelbase



EX6 Std Cab Long Wheelbase

