

WL60

Articulated Wheel Loaders



**WACKER
NEUSON**
all it takes!



The efficient top performer

The WL60 can't be beat in efficiency: Thanks to the optionally available demand-controlled load sensing system, which ensures that the work hydraulics do not run as well when driving. This reduces the energy consumption of the machine significantly. The WL60 also offers state-of-the-art engine technology according to the latest emission standard level IV. The so-called flow sharing allows for the simultaneous operation of several work functions such as lifting, rolling-in or operating a hydraulic attachment. In addition, the WL60 is extremely stable thanks to an optimal weight distribution and has the greatest lifting height of its performance class. The WL60 is therefore the optimal choice when things are to be quick and environmentally friendly.

- Several engines to choose from, with or without SCR system (Selective Catalytic Reduction)
- 3.5 inch color display with many functions and clear control lights
- 40 km/h variant due to larger motors with higher torque (optional)
- Optional on-roof climate control for more operator comfort
- Optimized use of attachment tools by oil level regulation, high flow option and continuous function for the 3rd and 4th control circuits

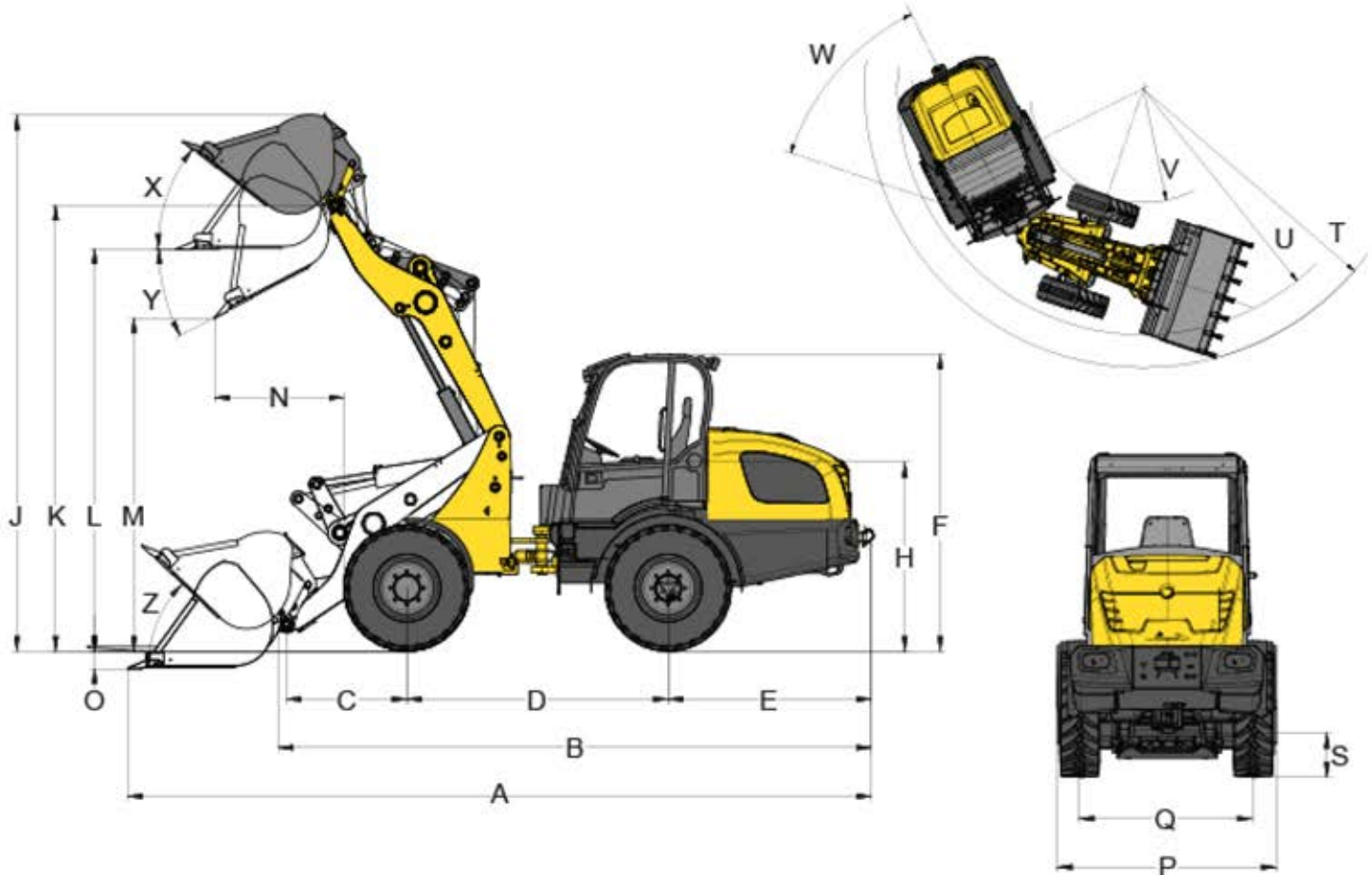
WL60 Technical specifications

	Engine standard	Engine optional
Engine / Motor		
Engine / Motor manufacturer	Perkins	Perkins
Engine / Motor type	854F-E34TAWF	854E-E34TAWF
Cylinder	4	4
Engine performance kW	75	90
at rpm Maximum rpm	2,200	2,200
Displacement cm ³	3,400	3,400
Coolant type	Water / charge air	Water / charge air
DEF Type	DOC+SCR	DOC+SCR
Emission standards stage	IV	IV
Electrical system		
Operating voltage V	12	
Battery Ah	95	
Alternator A	120	
Weights		
Operating weight kg	5,930	
Tipping load with bucket - machine straight kg	3,674	
Tipping load with bucket - machine at angle kg	3,031	
Tipping load with pallet fork - machine straight kg	3,344	
Tipping load with pallet fork - machine at angle kg	2,791	
Vehicle data		
Bucket capacity Standard bucket m ³	1	
Traction drive	Hydrostatic via universal joint shaft	
Axles	PA1422	
Drivers cab	Cabin	
Speed (optional) km/h	0-20 (30, 40)	
Speed Level	2	
Standard tires	405/70 R 18 EM ET0	
Hydraulic system		
Driving hydraulics - operating pressure bar	445	
Operating hydraulics - operating pressure bar	210	
Operating hydraulics - discharge capacity l/min	100	
Operating hydraulics - discharge capacity (optional up to) l/min	150	
Filling capacities		
Fuel tank capacity l	105	
Hydraulic oil tank l	95	
Sound level		

	Engine standard	Engine optional
Guaranteed sound power level LwA dB(A)	103	
Specified sound pressure level LpA dB(A)	78	

Standard bucket = digging bucket, 2,000 mm width
Tipping load calculation according to ISO 14397-EN474-3

WL60 Dimensions



	Standard tires	405/70 R 18 EM ET0
A	Overall length	5,898 mm
B	Overall length without bucket	4,780 mm
C	Bucket pivot point to axle center	991 mm
D	Wheelbase	2,150 mm
E	Rear overhang	1,676 mm
F	Height With cabin	2,693 mm
H	Seat height	1,609 mm
J	Total operating height	4,409 mm
K	Stroke height max. - bucket pivot point	3,686 mm
L	Overhead loading height	3,375 mm
M	Dump height max.	2,841 mm
N	Range with M	799 mm
O	Scraping depth	74 mm
P	Overall width	1,829 mm
Q	Track width	1,422 mm
S	Ground clearance	375 mm
T	Radius maximum	4,072 mm
U	Radius at outer edge	3,686 mm
V	Inside turning radius	1,666 mm
W	Articulation angle	42 °

X	Bucket rollback at max. stroke height	33 °
Y	Dump angle Maximum	33 °
Z	Bucket rollback at ground level	39 °

All values with standard bucket: Digging bucket 2,000 mm, 1.0 m³ and standard tires: 405/70 R 18 EM ETO

Please note: that product availability can vary from country to country. It is possible that information / products may not be available in your country. More detailed information on engine power can be found in the operator's manual; the stated power may vary due to specific operating conditions. Subject to alterations and errors excepted. Applicable also to illustrations.

Copyright © 2020 Wacker Neuson SE.



102 Carbine Rd Mt Wellington Auckland
Phone: 0800Takeuchi (0800 825 382)
<https://nzeg.co.nz>