

COMPACT EXCAVATOR

takeuchiTM
From World First to World Leader

TB350R



Operating Weight: 5,085 kg

TOUGH, POWERFUL, RELIABLE



7" Touch Screen Display (CAB)



Intuitive Operation



Hydraulic Joystick Controls



Large Floor with Footrest

Takeuchi's TB350R, TB300 Series, compact excavator features the latest technology and a short tail swing design that makes it ideal for working in tight or confined spaces. Inside the cab, a seven-inch, multifunction color monitor with touch screen places a wide range of functions at the operator's fingertips. A dedicated coupler circuit allows for the quick and easy exchange of various hydraulically driven attachments when used with an optional hydraulic coupler. A jog dial with one-touch controls lets operators easily control throttle position and multiple machine functions. The TB350R also offers a dig depth of 3,575 mm, maximum reach of 6,065 mm and maximum dump height of 3,945 mm. Combine those working ranges with its high-flow primary auxiliary circuit, and the TB350R is ideal for multiple applications, including demolition, land/vegetation management, general contracting, landscaping, hardscaping, rental, residential, and commercial construction.



Completely Redesigned Automotive Styled Interior with Intuitive Operator Controls

Product Features & Specifications

ENGINE

- EU Stage V / EPA Tier 4 Emission Compliant
- DOC+DPF Exhaust After Treatment
- Automatic Fuel Bleed System
- Double Element Air Cleaner
- Automatic Deceleration
- Working Modes: Standard and ECO
- Engine Preheat Starting Aid
- High Capacity Radiator and Hydraulic Oil Cooler
- High Capacity Fuel Filters
- Engine Safety Start System on the Left Console
- Engine Auto Stop
- Fuel Supply Pump with Hose Reel

ELECTRICAL

- 4.3" Multi-Informational Display (Canopy)
- 7" Color Touch Screen Display (Cab)
- Multi-Switch Control Panel & Jog Dial Control
- 12 volt System with 70 amp Alternator
- LED Light Package 1; Boom and Front Canopy (Canopy)
- LED Light Package 2; Boom, Front Cab & Rear Cab (Cab)
- Travel Alarm (optional)
- Beacon Socket and Lamp Switch (Cab Only)
- TFM (Takeuchi Fleet Management, GPS)
- TSS (Takeuchi Security System, Immobilizer) (optional)*

UNDERCARRIAGE AND FRAME

- Triple Flange Track Rollers
- 2-Speed Travel with Automatic Shift
- Sloped Frame with Open Centers
- Large Wrap Around Counterweight
- 400 mm Rubber Crawlers
- 400 mm Steel Crawlers (optional)
- Segmented Rubber Crawlers (optional)
- Rubber Pads for 400 mm Steel Crawlers (optional)
- Heavy Duty Dozer Blade with Float (optional)
- Check Valve, Dozer Blade (optional)

OPERATOR'S STATION

- ROPS/TOPS/OPG (TOP Guard, Level I)
- Deluxe High Back Suspension Seat with Head Rest
- 2" Retractable Seat Belt
- 12V Power Outlet
- Cab with Heat, Defrost, Windshield Wiper and Washer, Skylight w/ Sunshade, DAB Radio with Bluetooth
- Air Conditioner (Cab Optional)
- Rain Guard (Cab Optional)
- OPG Level II Roof Guard Kit (Cab Optional)
- OPG Level II Front Guard (Cab Optional)

TAKEUCHI FLEET MANAGEMENT

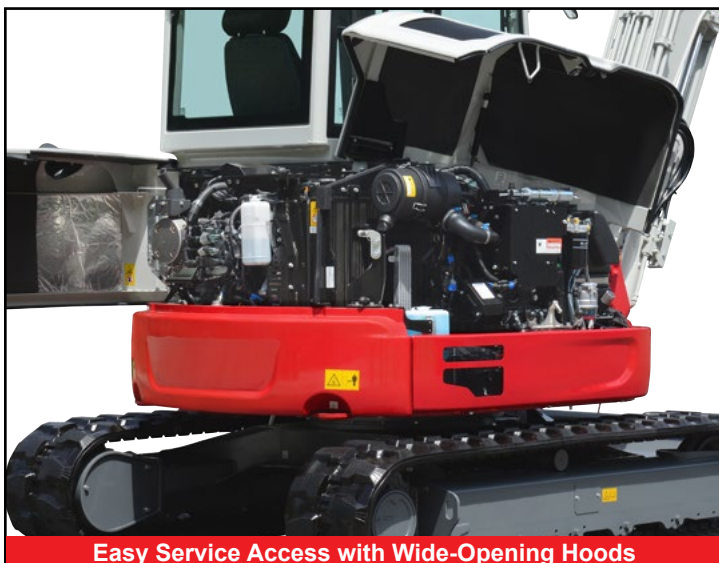
- Minimize Downtime
- Remote Diagnostics
- Utilization Tracking
- Proactive Maintenance
- Control Costs

HYDRAULIC

- Variable Displacement Pump
- Straight Travel Circuit
- Hydraulic Joystick Controls
- Proportional Control for Service Port 1
- Detent for Service Port 1
- Proportional Control for Service Port 2 (optional)
- Service Port 3 for Quick Hitch (optional)
- Proportional Control for Service Port 4 (optional)
- Auxiliary Hydraulic Circuit Plumbed to Arm
- Hydraulic Tank with Fluid Sight Gauge
- Adjustable Auxiliary Flow for Service Port 1, 2, and 4
- Auto Pressure Release (optional)
- Hydraulic Selector Valve (1-way / 2-way)
- Pilot Accumulator
- Air Breather, Hydraulic Tank
- Auto Tank (optional)

WORKING EQUIPMENT

- Independent Mono Boom Swing
- Cushioned Boom, Arm and Swing Cylinders
- Boom Swing Stopper
- 1,400 mm Arm
- 1,650 mm Arm
- Arm and Boom Holding Valve with Lift Alarm
- Lifting Point of Bucket Linkage (optional)



Easy Service Access with Wide-Opening Hoods



Short Tail Swing

*Functions may not be available in all countries, so please consult your Takeuchi dealer for details.

OPERATING PERFORMANCE

Operating Weight - Cab	5,085 kg
Operating Weight - Canopy	4,970 kg
Bucket Capacity (Heaped)	0.141 m ³
Slew Speed	8.9 min ⁻¹
Travel Speed	
1st	2.8 km/h
2nd	5.0 km/h
Gradeability	30°
Ground Pressure - Cab	28.9 kPa
Ground Pressure - Canopy	28.2 kPa
Maximum Bucket Breakout Force	37.3 kN
Maximum Arm Digging Force (1,400 mm Arm)	25.0kN
Maximum Arm Digging Force (1,650 mm Arm)	22.4 kN
Traction Force	54.8 kN
Boom Swing Angle (Left/Right)	71° / 55°

ENGINE

Model	Kubota / V2607
Rated Output (ISO 14396)	32.4 kW / 2,000 min ⁻¹
Maximum Torque	180.1 Nm / 1,500 min ⁻¹
Displacement	2,615 ml
Alternator	12V - 0.84 kW
Battery (IEC 60095-1)	12V - 72 A·h

FLUID CAPACITY

Engine Lubrication	11.8 L
Cooling System	10.0 L
Fuel Tank Capacity	55.3 L
Hydraulic Reservoir Capacity	40.8L
Hydraulic System Capacity	85 L

HYDRAULIC SYSTEM

P1, P2	Variable Displacement Pump
Flow Rate	52.6 L/min
Relief Pressure	24.0 MPa
P3	Gear Pump
Flow Rate	40.6 L/min
Relief Pressure	20.6 MPa
Service Port 1	
Flow Rate	93.2 L/min
Hydraulic Pressure	20.6 MPa
Service Port 2	
Flow Rate	40.6 L/min
Hydraulic Pressure	20.6 MPa
Service Port 3	
Hydraulic Pressure	20.6 MPa
Service Port 4	
Flow Rate	40.6 L/min
Hydraulic Pressure	20.6 MPa

SAFETY and HEALTH

Vibration Levels	
Hand / Arm	≤ 2.5 m/s ²
Body	≤ 0.5 m/s ²
Noise Level	
Sound Power Level	L _{WA} 97 dB



Up to 4 Service Ports (Optional)



Great Stability

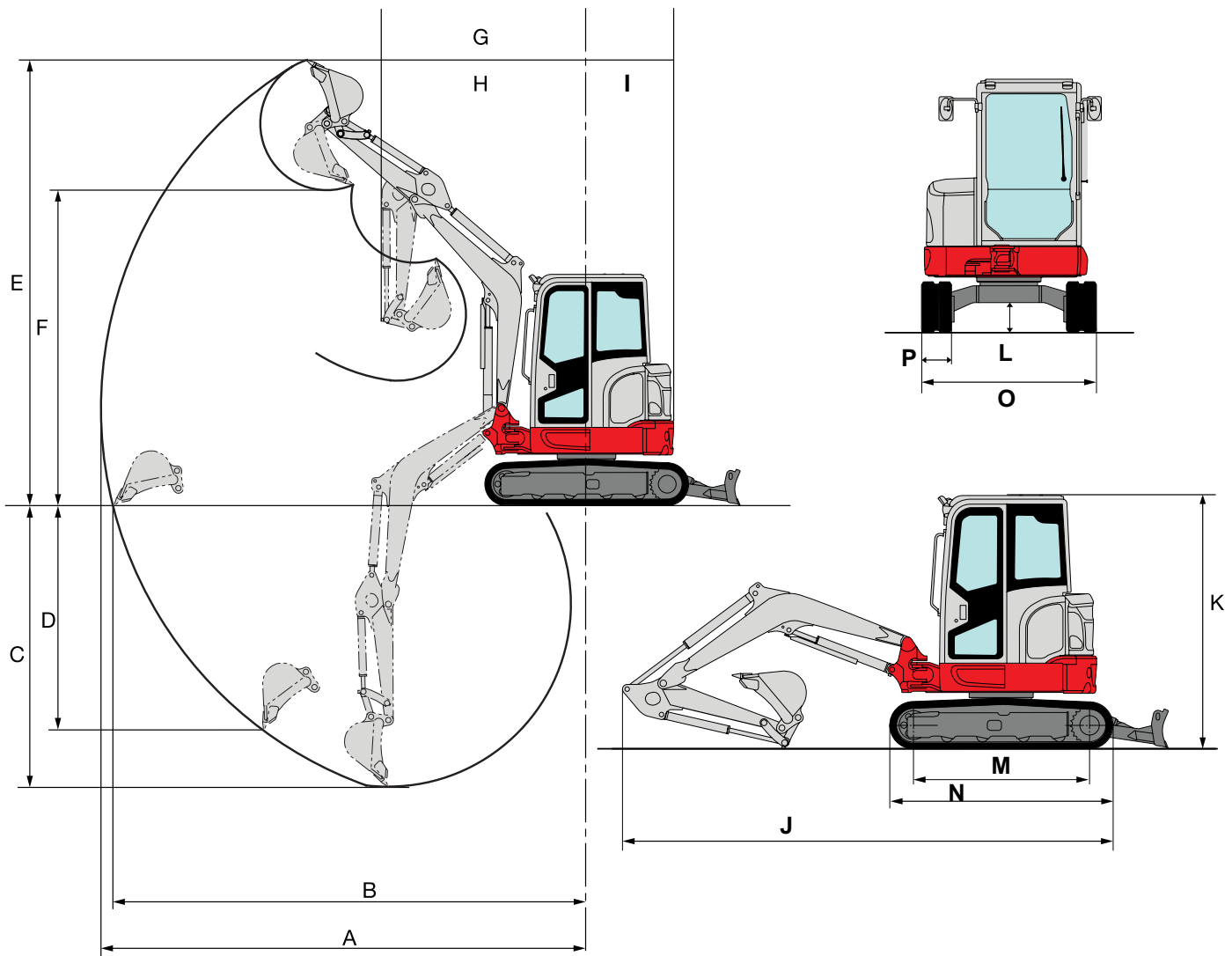


All Steel Construction



TFM

TB350R Compact Excavator



MACHINE DIMENSIONS	1,400 mm Arm	1,650 mm Arm
A Maximum Reach	5,825 mm	6,065 mm
B Maximum Reach at Ground Level	5,675mm	5,925 mm
C Maximum Digging Depth	3,325 mm	3,575 mm
D Maximum Vertical Digging Depth	2,685 mm	2,925 mm
E Maximum Height of Cutting Edge	5,410 mm	5,580 mm
F Maximum Dumping Height	3,775 mm	3,945 mm
G Front Swing Radius	2,480 mm	2,535 mm
H Front Swing Radius with Boom Offset	2,020 mm	2,065 mm
I Slew Radius	1,075 mm	
J Overall Length	5,365 mm	5,390 mm
K Overall Height (Cab / Canopy)	2,540 mm / 2,565 mm	
L Upper Structure Overall Width (Cab / Canopy)	1,775 mm / 1,735 mm	
M Ground Clearance	335 mm	
N Crawler Base	1,975 mm	
O Crawler Overall Length	2,500 mm	
P Crawler Overall Width	2,000 mm	
Q Crawler Shoe Width	400 mm	



© 2023 Takeuchi MFG. Co., Ltd. All Rights Reserved. In accordance with our established policy of continued improvement, specifications and features are subject to change without notice. Pictures may show options other than standard equipment.

FORM: TB350R Compact Excavator Spec Sheet - Mar. 2023

TAKEUCHI[™]
From World First to World Leader